

TOUGHTANK Steel Oil Storage Tanks

HT-1073

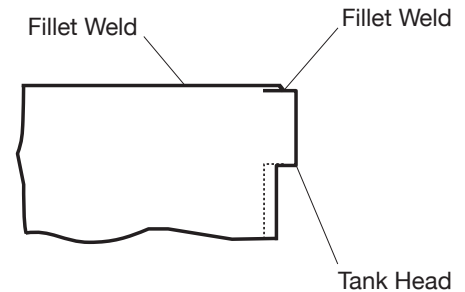
Get a Handle on a Great Value



Highland Tank®



When assembled, the TOUGHTANK head flange forms a tight lap joint with the tank wall



The TOUGHTANK features a unique patented head design stamped to form a U-shaped ridge around the tank's perimeter. When assembled, the U-shaped flange fits tightly against the interior tank wall to form a lap joint. A fillet weld then secures the head into position.

Significantly stronger by design, this configuration also serves to protect the weld from external damage during transportation and installation.

Engineered to be Tough

Highland Tank's 12 gauge TOUGHTANK is available in 137, 230, 275 and 330 gallon capacities and is UL-80 labeled for fuel oil storage. UL-142 labeled tanks are available for the safe storage of other flammable or combustible liquids.

For added protection and peace of mind, the 275 and 330 gallon UL-142 TOUGHTANKS are also available in double-wall construction.

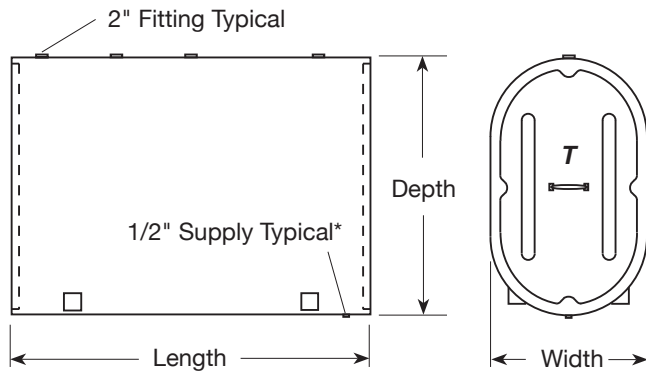


Unmatched Quality & Service

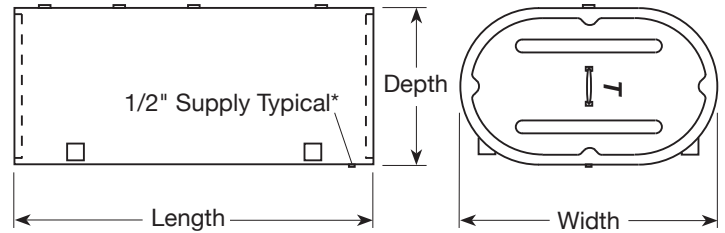


TOUGHTANK Tank Sizing Guide

Vertical Style



Horizontal Style



*3/4" Supply fitting in North Carolina Market

Vertical Tanks

Volume (Gallons)	Width	Dimensions Depth	Length	Approximate Weight (lbs.)
137	27-1/4"	44-1/4"	30"	170
230	22-1/4"	44-1/4"	60"	259
275	27-1/4"	44-1/4"	60"	279
330	27-1/4"	44-1/4"	72"	320
DW275	27-1/4"	44-1/4"	66"	560
DW330	27-1/4"	44-1/4"	80"	640

UL-approved for indoor or outdoor use, Highland Tank's 12 Gauge TOUGHTANK oil storage tanks bear a UL-80 label for indoor or outdoor use in accordance with NFPA 31. TOUGHTANKS are designed and fabricated primarily for the storage of heating oil. They can be modified to qualify for a UL-142 label for safe storage of other flammable or combustible liquids. All TOUGHTANKS are powder-coated black and have a low-gloss finish.

Horizontal Tanks

Capacity (Gallons)	Width	Dimensions Depth	Length	Approximate Weight (lbs.)
137	44-1/4"	27-1/4"	30"	170
230	44-1/4"	22-1/4"	60"	259
275	44-1/4"	27-1/4"	60"	279
330	44-1/4"	27-1/4"	72"	320

Standard Features

- 12 Gauge All-Steel Construction
- Convenient Handle on each Head
- UL Labeled

Warning: Operation of a TOUGHTANK in excess of normal operating pressure (2.5 psi) may cause permanent distortion.



Please visit us at www.highlandtank.com

One Highland Road
Stoystown, PA 15563
P: 814-893-5701
F: 814-893-6126

4535 Elizabethtown Road
Manheim, PA 17545
P: 717-664-0600
F: 717-664-0617

958 19th Street
Watervliet, NY 12189
P: 518-273-0801
F: 518-273-1365

2700 Patterson Street
Greensboro, NC 27407
P: 336-218-0801
F: 336-218-1292

2225 Chestnut Street
Lebanon, PA 17042
P: 717-664-0602
F: 717-664-0631

1510 Stoystown Road
Friedens, PA 15541
P: 814-443-6800
F: 814-444-8662