

Highland Shelter Tanks

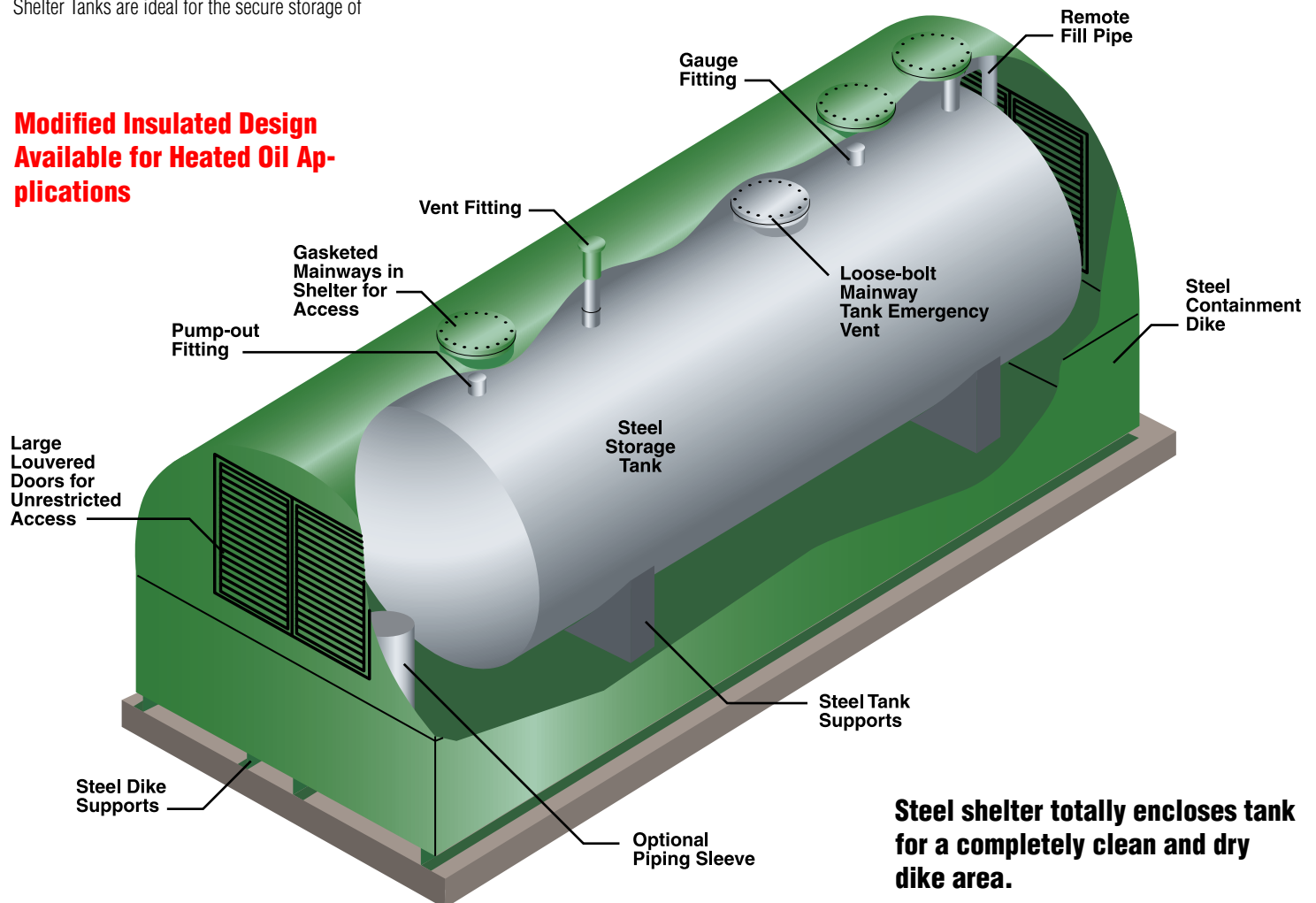
The complete aboveground containment solution!

The Highland Shelter Tank is the most versatile solution for aboveground storage with complete containment. The Shelter Tank is a modular aboveground liquid storage system consisting of a carbon steel or stainless steel storage tank housed within a 110% or 150% steel containment dike with shelter cover. Shelter Tanks are ideal for the secure storage of

petroleum, chemicals, hazardous wastes and fertilizers. It is available in compartmented configurations for multiple product storage. Highland Shelter Tanks are easy to install. Relocation, if necessary, is fast and easy! The entire tank system is product compatible and possesses the strength and impermeability of steel. The

Shelter Tank carries an Underwriters Laboratories UL-142 label and meets the NFPA 30 code. Available in standard or made-to-order designs, a variety of options and accessories are available.

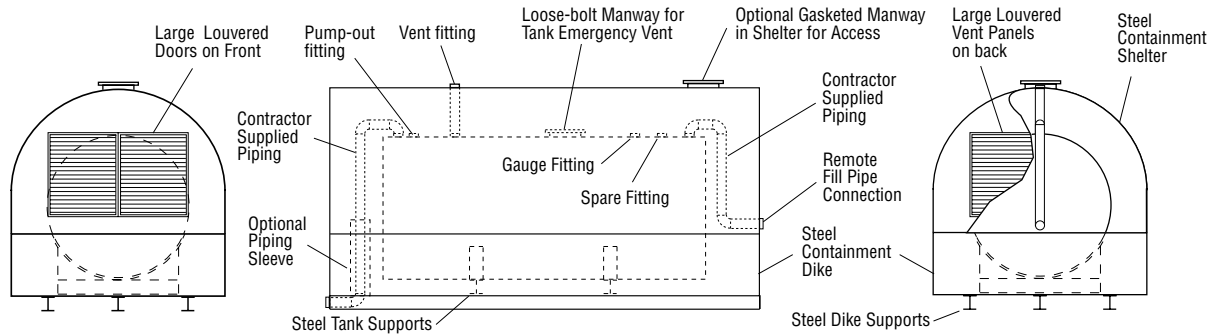
Modified Insulated Design Available for Heated Oil Applications



Steel shelter totally encloses tank for a completely clean and dry dike area.

Color and fittings shown are for illustration only. Standard tank finish is red primer paint. Consult factory to determine fitting quantity and location.

Construction Details and Specifications



Tank Capacity Gallons	Tank Dimensions		Nominal Dike Capacity Gallons	Dike Dimensions L x W x H
	Diameter	Length		
240	3'2"	4'0"	264	5'9" x 4'0" x 1'8"
300	3'2"	5'0"	330	7'0" x 4'0" x 1'8"
500	4'0"	5'5"	550	7'5" x 6'0" x 1'8"
1,000	4'0"	10'9"	1,100	12'9" x 6'0" x 2'0"
1,000	5'4"	6'0"	1,100	9'2" x 8'0" x 2'0"
1,500	5'4"	9'0"	1,650	13'10" x 8'0" x 2'0"
2,000	5'4"	12'0"	2,200	16'0" x 8'0" x 2'4"
2,500	5'4"	15'0"	2,750	17'6" x 8'0" x 2'10"
3,000	5'4"	18'0"	3,300	22'0" x 8'0" x 2'8"
4,000	5'4"	24'0"	4,400	28'0" x 8'0" x 2'8"
4,000	8'0"	10'6"	4,400	14'0" x 10'10" x 4'0"
5,000	8'0"	13'4"	5,500	17'0" x 10'10" x 4'0"
6,000	8'0"	16'0"	6,600	20'6" x 10'10" x 4'0"
8,000	8'0"	21'4"	8,800	27'6" x 10'10" x 4'0"
10,000	8'0"	26'8"	11,000	35'0" x 10'10" x 4'0"
12,000	8'0"	32'0"	13,200	36'8" x 12'0" x 4'0"
15,000	10'0"	25'6"	16,500	31'0" x 12'0" x 6'0"
20,000	10'0"	34'0"	22,000	41'0" x 12'0" x 6'0"
25,000	10'0"	42'6"	27,500	51'0" x 12'0" x 6'0"
30,000	10'6"	46'6"	33,000	61'2" x 12'0" x 6'0"

Dike capacities shown are for 110% containment dikes. Contact Highland Tank for details on 150% containment dikes.

Recommended Guide Specification

Furnish and install a _____ gallon Shelter Tank. Shelter Tank shall consist of an aboveground single-wall, steel storage tank _____ in diameter by _____ long with an aboveground steel dike _____ long by _____ wide by _____ high, having a capacity of _____ gallons (110% or 150% of the contents of the single wall tank). The tank and dike shall be totally enclosed in a steel roof assembly to completely protect against product overfills, spills, and leaks plus shield against the outside elements and vandalism.

The Shelter Tank shall be painted with red primer or receive a commercial grit blast (SSPC-6), epoxy primer coat and a polyurethane finish coating. The Shelter Tank shall be manufactured in conformance with

Underwriters Laboratories' UL-142 specifications and so labelled.

The Shelter Tank shall be fabricated with the following: _____ 2 inch, _____ 4 inch, _____ 6 inch threaded connections, AND/OR _____ 150# flanged connections with flange protectors. Thread protectors shall be inserted in all threaded openings prior to shipment. (See standard fitting location drawing for quantities and locations.)

Shelter Tank is to be furnished with steel tank and dike supports. Highland Shelter Tanks are tested at the factory and MUST be retested at the jobsite by the installer prior to installation.

Options & Accessories

- _____ Compartment Bulkhead
- _____ Tank Insulation
- _____ Manway _____ inches in diameter with bolted and gasketed lid
- _____ Dike Piping Sleeve
- _____ Emergency Vent
- _____ External Ladder/Stairway
- _____ Pump Platform
- _____ Platform/Walkway with handrails
- _____ Exterior paint; _____ tank, _____ dike
- _____ Other external coating _____
- _____ Internal Ladder(s)
- _____ Internal Coating _____
- _____ Level Sensing/Gauging System
- _____ Overfill/Spill Containment Chamber

Shelter Tank to be manufactured by Highland Tank.

Please visit us at www.highlandtank.com



One Highland Road
Stoystown, PA 15563
814-893-5701
FAX 893-6126
99 West Elizabeth-

town Road
Manheim, PA 17545
717-664-0600
FAX 664-0617

958 19th Street
Watervliet, NY 12189
518-273-0801
FAX 273-1365

2700 Patterson Street
Greensboro, NC 27407
336-218-0801
FAX 218-1292

2225 Chestnut Street
Lebanon, PA 17042
717-664-0602
FAX 664-0631

354 Route 108
Somersworth, NH 03878
603-692-2012
FAX 692-2014