

HighDRO™ Wastewater Storage Tanks

Designed to Exceed the Demanding Needs of the Wastewater Industry.

Highland Tank®



HighDRO™ Wastewater Storage Tanks (HD-WWST) are required for use in wastewater systems where individuals or companies are responsible for disposal of their own domestic, commercial, industrial, or agricultural liquid wastes. These "tight tanks" are available for either aboveground or underground installations and are designed to store a wide range of contaminated wastewater.

- Landfill Leachate
- Greywater
- Blackwater or Septage
- Agriculture and Livestock Liquid Wastes
- Industrial Chemically Contaminated Wastewater
- Radioactive Liquid Wastes

HD-WWST are available in a wide range of sizes, capacities, and arrangements. They can be installed at an extensive variety of municipal,

commercial, and industrial applications. We offer carbon steel construction with the convenient choices of tough, high-solids epoxies, polyurethanes, rubber, PVC, and other sheet linings, all dependant on the project and the liquid to be stored. Our stainless steel HD-WWST are offered in a variety of different grades such as 304, 304L, 316, and 316L. These tanks withstand the wider range of temperatures, chemicals, and pH factors encountered in industrial applications. They are virtually maintenance-free and ideal for corrosive environments.

Highland Tank has extensive experience in the design, manufacture and installation of wastewater storage tank systems. Some of the many reasons we believe our HD-WWST will provide you with total peace of mind include:

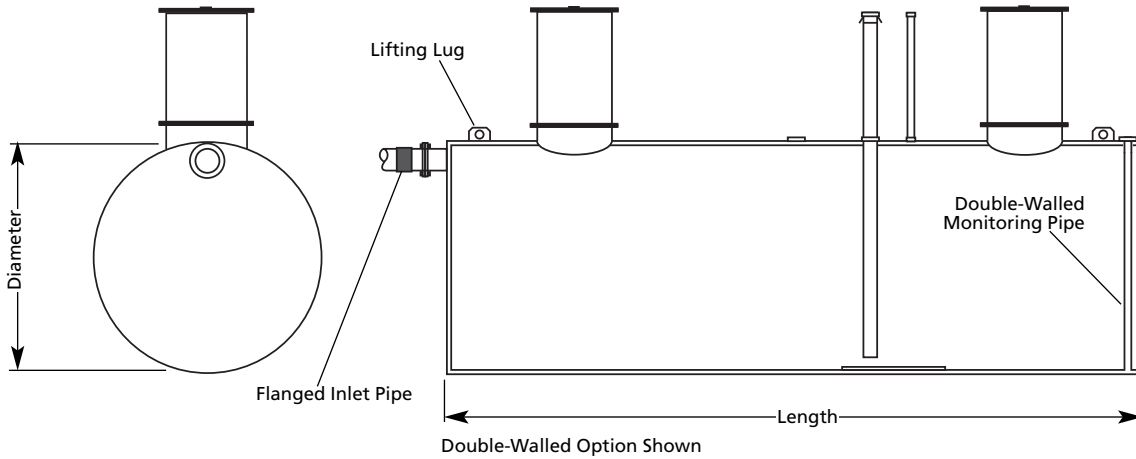
- Standard or custom HD-WWST are available, designed and manufactured to relevant AWWA, NFPA, UL, or API Standards.

- The tanks are available with a variety of manways and nozzle connections, including flanged, threaded, Victaulic, etc.
- These water tanks can also be fitted with a variety of accessories to best meet the needs of the individual project.

HD-WWST comply with the stringent requirements of your wastewater application, including:

- Appropriate standards and codes
- Applicable design configurations
- Space limitations
- Optimum capacities
- Materials of construction
- Corrosion considerations
- pH/acidic levels
- Operating environment
- Chemical resistance
- Operating temperature
- Freeze protection
- Secondary containment

Horizontal HighDRO™ Wastewater Storage Tank Sizing Guide



WST Volume Gallons	Horizontal Tank Dimensions	
	Diameter	Length
185	3'-2"	3'-4"
240	3'-2"	4'-0"
300	3'-2"	5'-0"
500	4'-0"	5'-5"
1,000	4'-0"	10'-9"
1,000	5'-4"	6'-0"
1,500	5'-4"	9'-0"
2,000	5'-4"	12'-0"
2,500	5'-4"	15'-0"
3,000	5'-4"	18'-0"
4,000	5'-4"	24'-0"
4,000	6'-0"	19'-0"
4,000	8'-0"	10'-8"
5,000	6'-0"	23'-10"
5,000	8'-0"	13'-4"
6,000	6'-0"	28'-8"
6,000	8'-0"	16'-0"
8,000	10'-0"	14'-0"
8,000	8'-0"	21'-4"

Model HD-WST Belowground shown, Aboveground Horizontal and Vertical Wastewater Treatment Tanks are also available.

WST Volume Gallons	Horizontal Tank Dimensions	
	Diameter	Length
10,000	10'-0"	17'-0"
10,000	8'-0"	26'-8"
12,000	10'-0"	20'-6"
12,000	8'-0"	32'-0"
15,000	10'-0"	25'-6"
15,000	8'-0"	40'-0"
20,000	10'-0"	34'-0"
20,000	10'-6"	31'-0"
25,000	10'-0"	42'-6"
25,000	10'-6"	38'-9"
30,000	10'-0"	51'-2"
30,000	10'-6"	46'-6"
40,000	12'-0"	47'-6"
50,000	12'-0"	59'-6"
50,000	12'-6"	54'-6"
60,000	12'-0"	71'-0"
60,000	12'-6"	65'-5"
60,000	13'-0"	60'-6"

- For underground applications, tank shell thickness is calculated using the Roark equation as defined by UL-58.
- Consult Highland Tank for Tank Sizing Guide as flanged and dished heads will add to length.
- Double-walled construction and custom sizing is available upon request.



One Highland Road
Stoystown, PA 15563
814-893-5701
FAX 893-6126

4535 Elizabethtown Road
Manheim, PA 17545
717-664-0600
FAX 664-0617

958 19th Street
Watervliet, NY 12189
518-273-0801
FAX 273-1365

2700 Patterson Street
Greensboro, NC 27407
336-218-0801
FAX 218-1292

2225 Chestnut Street
Lebanon, PA 17042
717-664-0602
FAX 664-0631

1510 Stoystown Road
Friedens, PA 15541
814-443-6800
FAX 444-8662