

ITEM	DESCRIPTION
①	2" NORMAL VENT FITTING
②	4"-8 OZ. EMERGENCY VENT - SHIPPED LOOSE
③	VENT DEFLECTOR ASSEMBLY - SHIPPED LOOSE
④	2" FCPLG
⑤	1" OVERFLOW PIPE - SHIPPED LOOSE
⑥	1" PIPE UNION
⑦	3" FILL FITTING
⑧	FILL CONTAINMENT CHAMBER
⑨	DRIP PAN PLATFORM WITH 2" LIP
⑩	1/2" DRAIN FITTING
⑪	STAIRS, PLATFORM AND HANDRAIL - SHIPPED LOOSE
⑫	3/4" PUMPOUT PIPE
⑬	3" PIPE CAP SUMP
⑭	4" X 5.4# CH

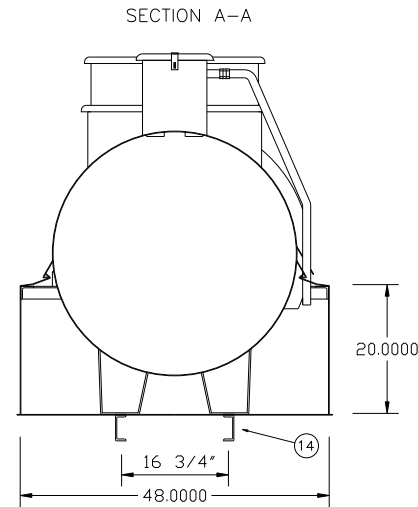
AUTHORIZATION

COMPANY NAME _____

APPROVED BY (PLEASE PRINT) _____

APPROVAL SIGNATURE _____

DATE _____ CONTRACT NO. _____



- NOTES
- PRIMARY TANK:
SHELL - 12GA. HEAD - 12 GA.
CONTAINMENT: 10 GA.
 - MATERIAL - MILD CARBON STEEL
 - TEST AT 5-7 PSIG.
 - ENTIRE UNIT UL LISTED.
 - EXTERIOR FINISH -
 - INTERIOR LINING -
 - ALL DIMENSIONS APPROXIMATE.

All rights reserved. This drawing or any part thereof must not be reproduced in any form without the written permission of Areo-Power Unitized Fueler, Inc.

AREO-POWER®

TITLE	REV #	REV DATE
300 GAL. AREO FUELER		
U.S. PATENT # 4895272	CANADIAN PATENT APPLIED FOR	
SCALE	DATE	DRAWN BY
1"=20"	8/1/92	JF
		DWG. NO.
		APB570