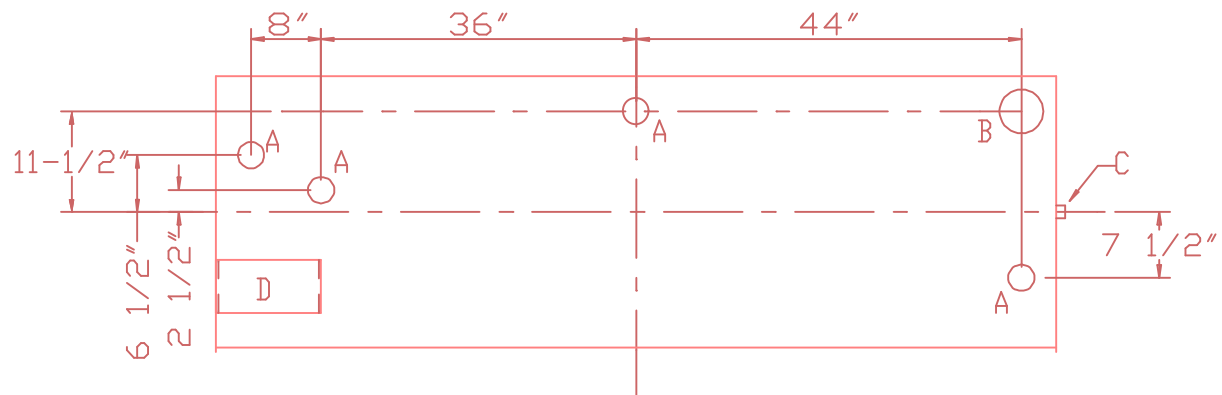
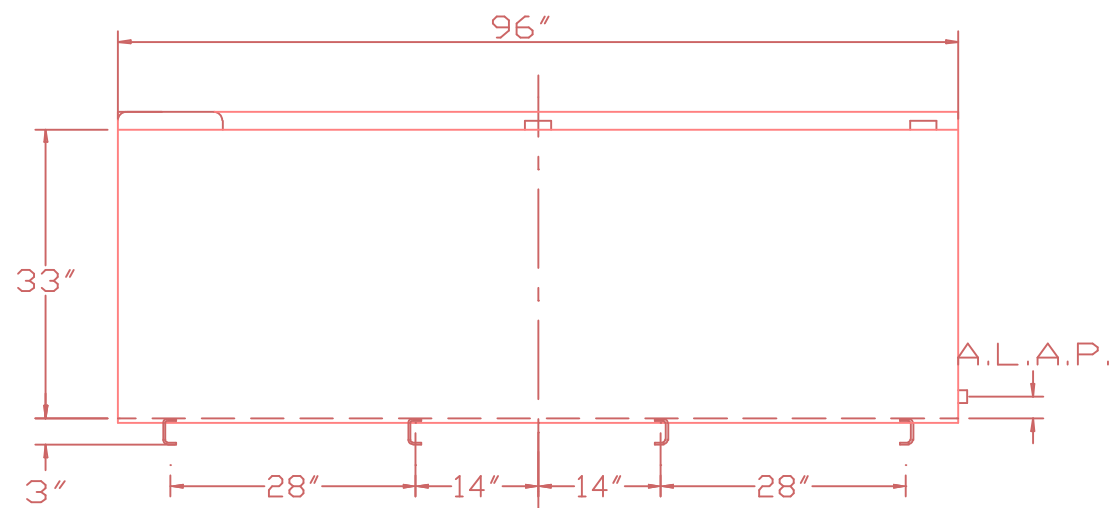


NOTE:
 ALL RIGHTS RESERVED, THIS DRAWING OR ANY PART THEREOF MUST NOT BE REPRODUCED IN ANY FORM WITHOUT THE WRITTEN PERMISSION OF HIGHLAND TANK
 HIGHLAND TANK SHALL BE RESPONSIBLE ONLY FOR ITEMS INDICATED ON THIS FABRICATION DRAWING UNLESS OTHERWISE NOTED. CUSTOMER IS RESPONSIBLE FOR VERIFYING CORRECTNESS OF SIZE / LOCATION OF FITTINGS, ACCESSORIES & COATINGS SHOWN ON THIS DRAWING

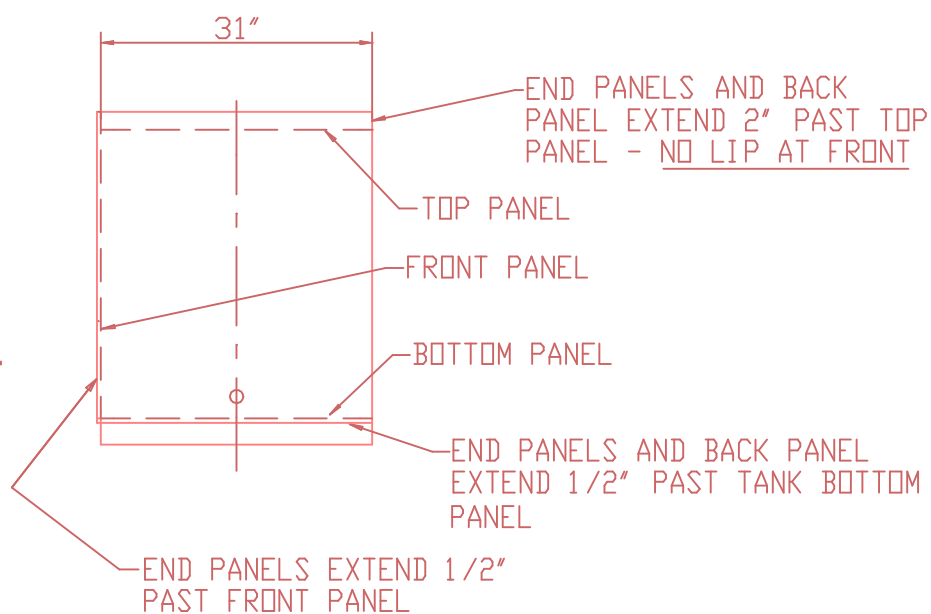


TOP VIEW



-C3 X 5# LEGS
 [NO WELD 10" FROM ENDS]

FRONT VIEW

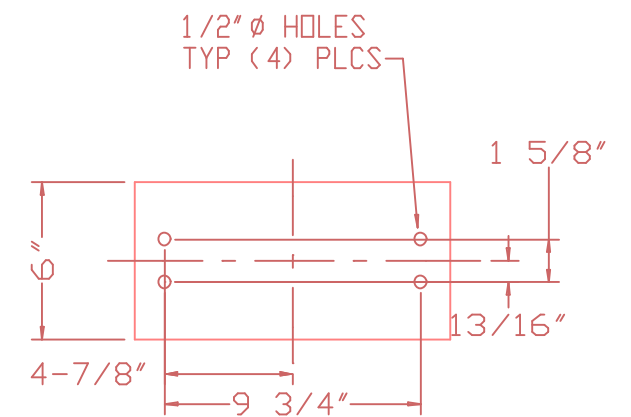


RT END VIEW

NOZZLE SCHEDULE


- A 2" FITTING
- B 4" FITTING
- C 3/4" FITTING
- D MOUNT PER DETAIL

CAPACITY - 425 GAL
 MATERIAL - 12 GA MILD CARBON STEEL
 CONSTR - LAP WELD OUTSIDE ONLY
 PRESS BRAKE / DWG EBT PRESS
 TEST - 2 PSIG - (DESIGN PROOF HYDROTEST
 15 PSIG)
 PAINT - INT - NONE
 EXT - SHOP PRIMER
 LABEL - UL 142



MATERIAL - 10 GA CARBON STEEL

MOUNT DETAIL

 Highland Tank MFG. CO.	
425 ECONOMY BENCH TOP TANK	
CUSTOMER: -	
PROJECT: -	
QUOTE NO: -	
SCALE 1/2" = 1'-0"	DATE 02/10/00
DRAWN BY 001	CHK'D BY
DWG NO EBT425	