

GENERAL SPECIFICATIONS

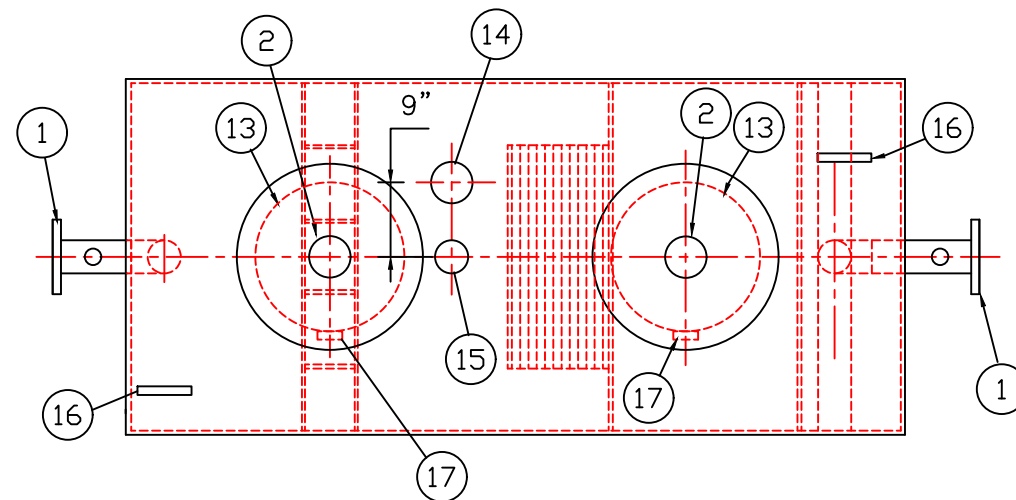
NO. REQ'D: (1)
 CAPACITY: 550 GALLONS
 TYPE: HTC, HIGHGUARD, SINGLE WALL
 MATERIAL: MILD CARBON STEEL
 FLOW RATE: 55 GPM
 GAUGE: BASED ON 60" MAX BURIAL
 SHELL- 7 GA.
 HEADS- 7 GA.

SURFACE PREP:
 SSPC NO.6 BLAST ALL EXTERIOR SURFACES
 SSPC NO.10 BLAST ALL INTERIOR SURFACES

COATING:	MATERIAL	THICKNESS
EXTERIOR-	HIGHGUARD	(75 MILS)
INTERIOR-	CHEMLINE 4200 PW	(15 MILS)

CONSTRUCTION :
 LAP FIT & WELD ALL EXTERIOR SEAMS

OPERATING PRESSURE : ATMOSPHERIC



PLAN

PROVIDED EQUIPMENT

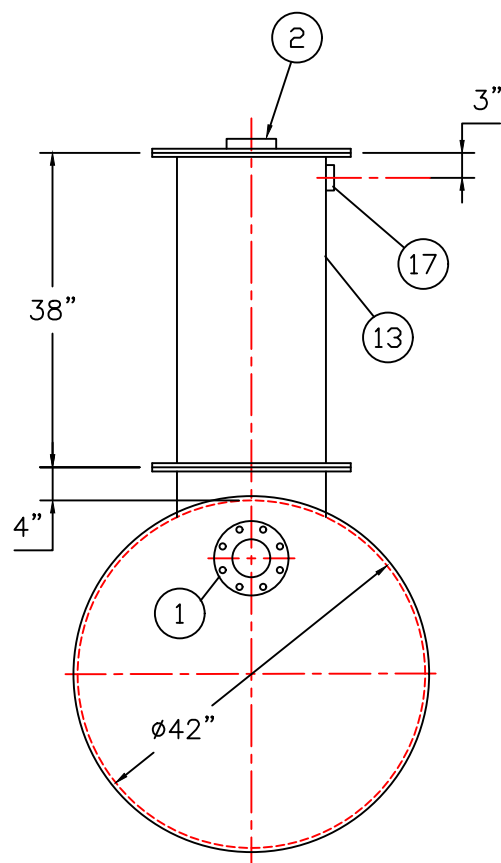
- 150# R.F.S.O. FLANGE W/ 2" FNPT FOR VENT
- 4"Ø FNPT FOR GAUGE WITH PLUG
- VELOCITY HEAD DIFFUSION BAFFLE
- WEAR PLATE
- SEDIMENT CHAMBER
- UNDERFLOW BAFFLE (REMOVABLE)
- SLUDGE BAFFLE
- STRIKER PLATES
- PARALLEL CORRUGATED PLATE COALESCER. CORELLA PVC PLATES (3" PLATE SPACING)
- OIL/WATER SEPARATOR CHAMBER
- 6" THICK PETROSCREEN COALESCER MATERIAL INSTALLED W/ PULL ROD SHIPPED LOOSE
- STEEL OUTLET DOWNCOMER
- 18"Ø MANWAY WITH BOLT-ON EXTENSION SHIPPED LOOSE
- 4"Ø FNPT FOR OIL PUMP-OUT WITH INTERNAL PVC PIPE INSTALLED & RISER PIPE SHIPPED LOOSE
- 2"Ø FNPT FOR LEVEL SENSOR WITH RISER PIPE SHIPPED LOOSE
- LIFTING LUG
- 2"Ø FNPT FOR VENT

ANCILLARY PROVIDED EQUIPMENT

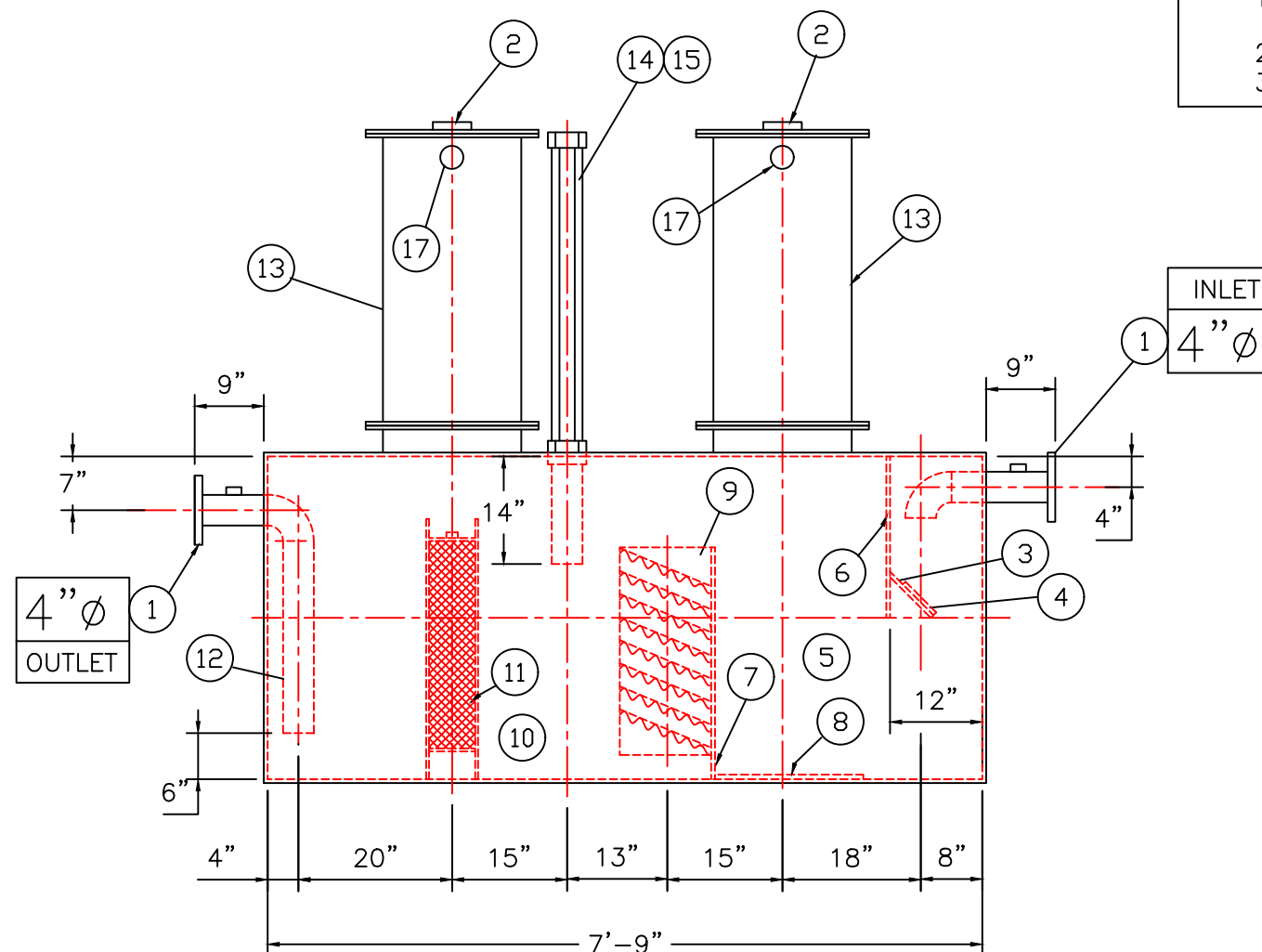
- (4) 18" FIBREFLEX MANWAY GASKETS
- (4) SETS OF NUTS/BOLTS/WASHERS FOR 18" MANWAY

NOTES

- POLYURETHANE HIGHGUARD TANK IS NOT APPROVED FOR THE STORAGE OF HEATED PRODUCTS
- ALL VENT PIPING BY INSTALLER
- 15000 VOLT SPARK TEST PROVIDED AT FACTORY



END VIEW



ELEVATION

NOTE :
 ALL RIGHTS RESERVED. THIS DRAWING OR ANY PART THEREOF MUST NOT BE REPRODUCED IN ANY FORM WITHOUT THE WRITTEN PERMISSION OF HIGHLAND TANK.
 HIGHLAND TANK SHALL BE RESPONSIBLE ONLY FOR ITEMS INDICATED ON THIS FABRICATION DRAWING UNLESS OTHERWISE NOTED. CUSTOMER IS RESPONSIBLE FOR VERIFYING CORRECTNESS OF SIZE / LOCATION OF FITTINGS , ACCESSORIES & COATINGS SHOWN ON THIS DRAWING

UNLESS OTHERWISE SPECIFIED DIMENSIONS ARE IN INCHES
 TOLERANCES ARE + OR - 1"

U.S. Patent #4,722,800 #6,606,224
 Canadian Patent # 1,296,263 # 2,389,065

550 GALLON OIL WATER SEPARATOR
 HTC, HIGHGUARD, SINGLE WALL

CUSTOMER:

PROJECT:

QUOTE NO:

CHK'D BY:

SCALE: 1/2"=1'-0"	DATE:	DWG. BY:	DWG. NO.: 00550HGSWHTCHDS
----------------------	-------	----------	------------------------------

GENERAL SPECIFICATIONS

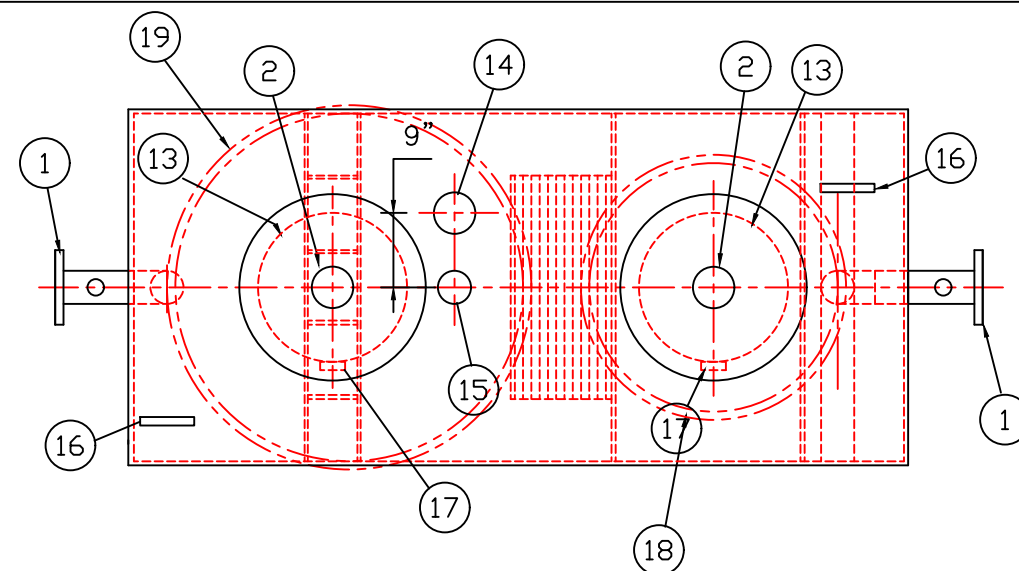
NO. REQ'D: (1)
 CAPACITY: 550 GALLONS
 TYPE: HTC, HIGHGUARD, SINGLE WALL
 MATERIAL: MILD CARBON STEEL
 FLOW RATE: 55 GPM
 GAUGE: BASED ON 60" MAX BURIAL
 SHELL- 7 GA.
 HEADS- 7 GA.

SURFACE PREP:
 SSPC NO.6 BLAST ALL EXTERIOR SURFACES
 SSPC NO.10 BLAST ALL INTERIOR SURFACES

COATING:	MATERIAL	THICKNESS
EXTERIOR-	HIGHGUARD	(75 MILS)
INTERIOR-	CHEMLINE 4200 PW	(15 MILS)

CONSTRUCTION :
 LAP FIT & WELD ALL EXTERIOR SEAMS

OPERATING PRESSURE : ATMOSPHERIC



PLAN

PROVIDED EQUIPMENT

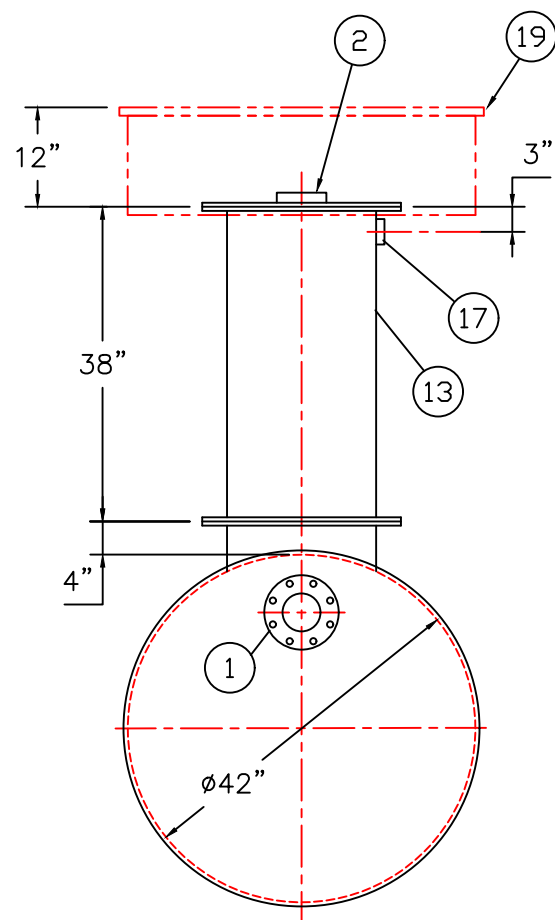
- 150# R.F.S.O. FLANGE W/ 2" FNPT FOR VENT
- 4"Ø FNPT FOR GAUGE WITH PLUG
- VELOCITY HEAD DIFFUSION BAFFLE
- WEAR PLATE
- SEDIMENT CHAMBER
- UNDERFLOW BAFFLE (REMOVABLE)
- SLUDGE BAFFLE
- STRIKER PLATES
- PARALLEL CORRUGATED PLATE COALESCER. CORELLA PVC PLATES (3" PLATE SPACING)
- OIL/WATER SEPARATOR CHAMBER
- 6" THICK PETROSCREEN COALESCER MATERIAL INSTALLED W/ PULL ROD SHIPPED LOOSE
- STEEL OUTLET DOWNCOMER
- 18"Ø MANWAY WITH BOLT-ON EXTENSION SHIPPED LOOSE
- 4"Ø FNPT FOR OIL PUMP-OUT WITH INTERNAL PVC PIPE INSTALLED & RISER PIPE SHIPPED LOOSE
- 2"Ø FNPT FOR LEVEL SENSOR WITH RISER PIPE SHIPPED LOOSE
- LIFTING LUG
- 2"Ø FNPT FOR VENT
- GLM-30 ROUND GRADE LEVEL MANWAY
- GLM-42 ROUND GRADE LEVEL MANWAY

ANCILLARY PROVIDED EQUIPMENT

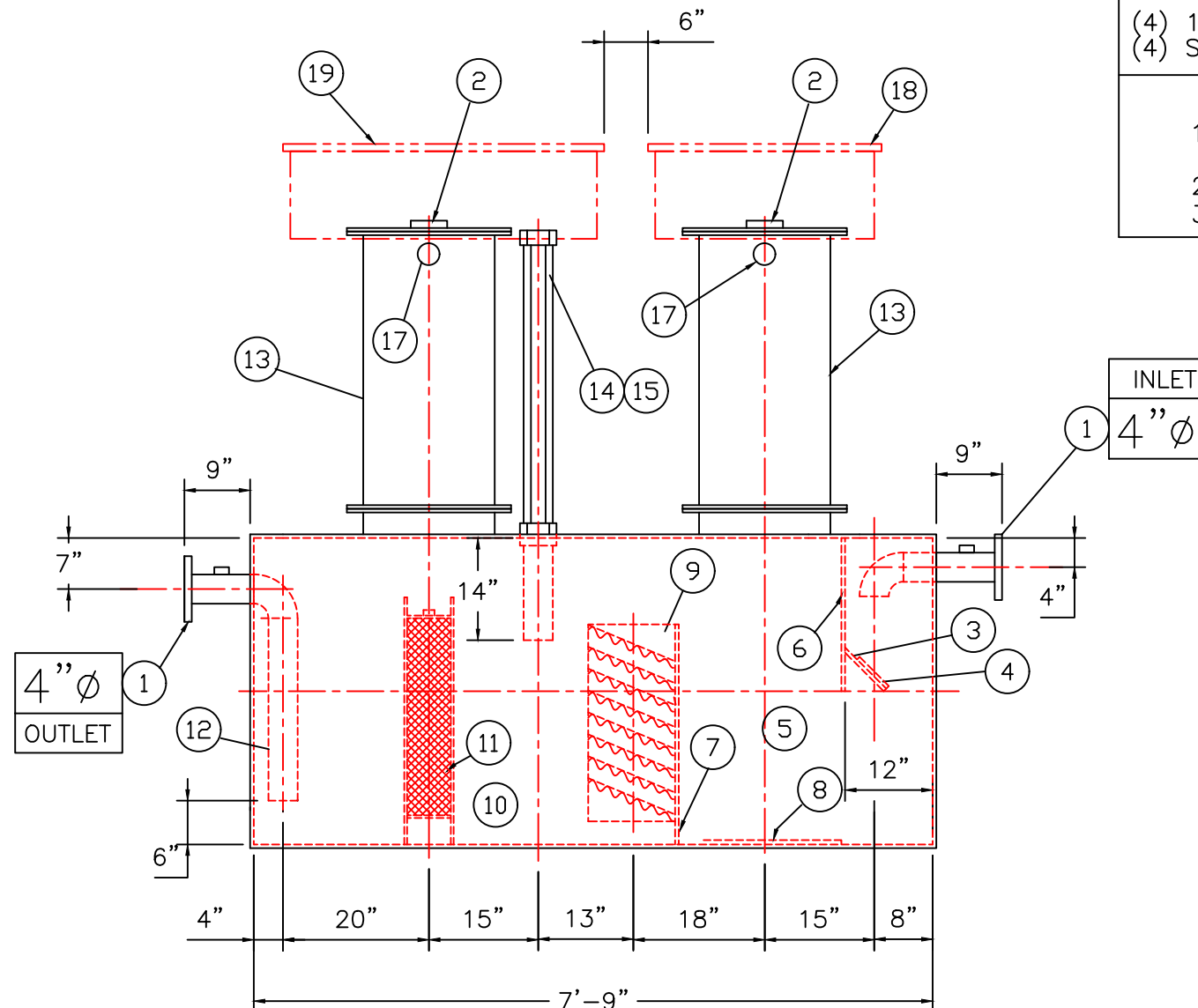
- (4) 18" FIBREFLEX MANWAY GASKETS
- (4) SETS OF NUTS/BOLTS/WASHERS FOR 18" MANWAY

NOTES

- POLYURETHANE HIGHGUARD TANK IS NOT APPROVED FOR THE STORAGE OF HEATED PRODUCTS
- ALL VENT PIPING BY INSTALLER
- 15000 VOLT SPARK TEST PROVIDED AT FACTORY



END VIEW



ELEVATION

NOTE :
 ALL RIGHTS RESERVED. THIS DRAWING OR ANY PART THEREOF MUST NOT BE REPRODUCED IN ANY FORM WITHOUT THE WRITTEN PERMISSION OF HIGHLAND TANK.
 HIGHLAND TANK SHALL BE RESPONSIBLE ONLY FOR ITEMS INDICATED ON THIS FABRICATION DRAWING UNLESS OTHERWISE NOTED. CUSTOMER IS RESPONSIBLE FOR VERIFYING CORRECTNESS OF SIZE / LOCATION OF FITTINGS , ACCESSORIES & COATINGS SHOWN ON THIS DRAWING

UNLESS OTHERWISE SPECIFIED DIMENSIONS ARE IN INCHES
 TOLERANCES ARE + OR - 1"

Highland Tank
 U.S. Patent #4,722,800 Canadian Patent # 1,296,263
 #6,606,224 # 2,389,065

550 GALLON OIL WATER SEPARATOR
 HTC, HIGHGUARD, SINGLE WALL

CUSTOMER:	CHK'D BY:
PROJECT:	
QUOTE NO:	DWG. NO.: 00550HGSWHTCHDS
SCALE: 1/2"=1'-0"	DWG. BY:
DATE:	