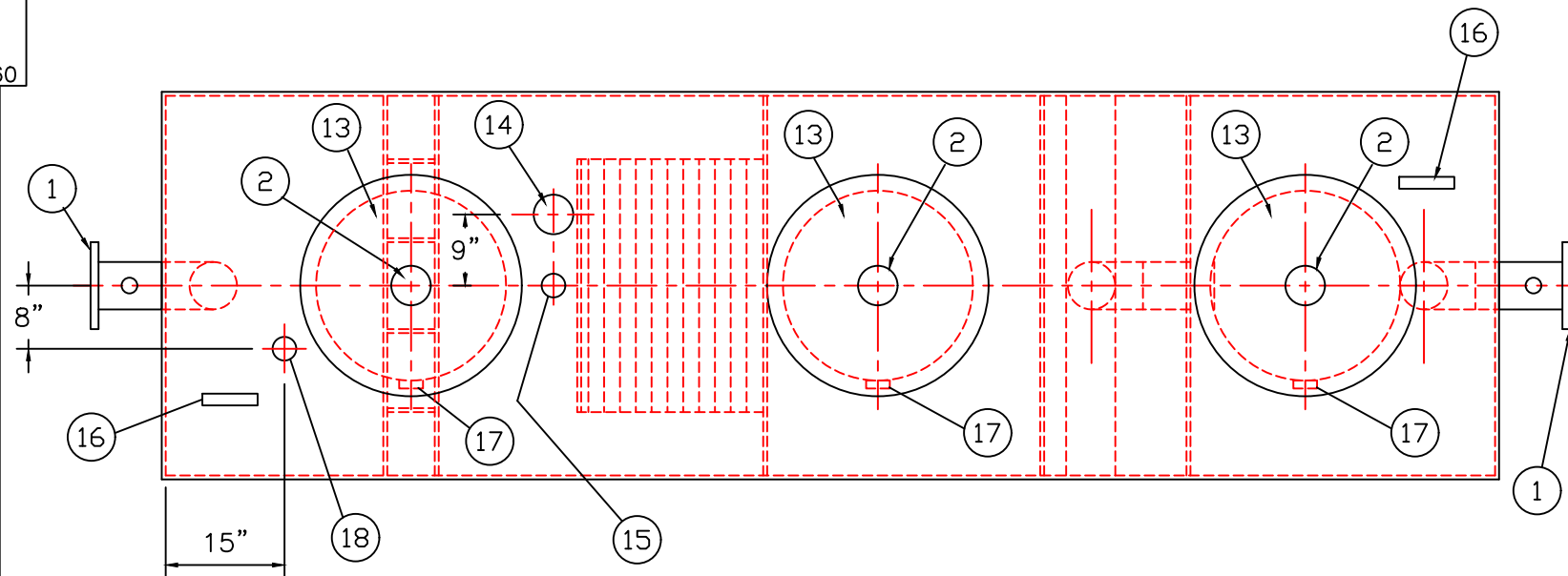


GENERAL SPECIFICATIONS

NO. REQ'D: (1)
 CAPACITY: 1000 GALLONS
 TYPE: HTC-G, ABOVEGROUND CYLINDRICAL, DW TYPE I 360
 MATERIAL: MILD CARBON STEEL
 FLOW RATE: 100 GPM
 GAUGE:
 INNER OUTER
 SHELL- 7 GA. 10 GA.
 HEADS- 7 GA. 10 GA.
 SURFACE PREP:
 SSPC NO.6 BLAST ALL EXTERIOR SURFACES
 SSPC NO.10 BLAST ALL INTERIOR SURFACES

COATING: MATERIAL THICKNESS
 EXTERIOR- CHEMPRIME 3001 (3-6 MILS)
 CHEMTHANE 3300 (2-3 MILS)
 TOP COAT "WHITE"
 INTERIOR- CHEMLINE 4200 PW (15 MILS)

CONSTRUCTION :
 LAP FIT & WELD ALL EXTERIOR SEAMS
 OPERATING PRESSURE : ATMOSPHERIC



PLAN

PROVIDED EQUIPMENT

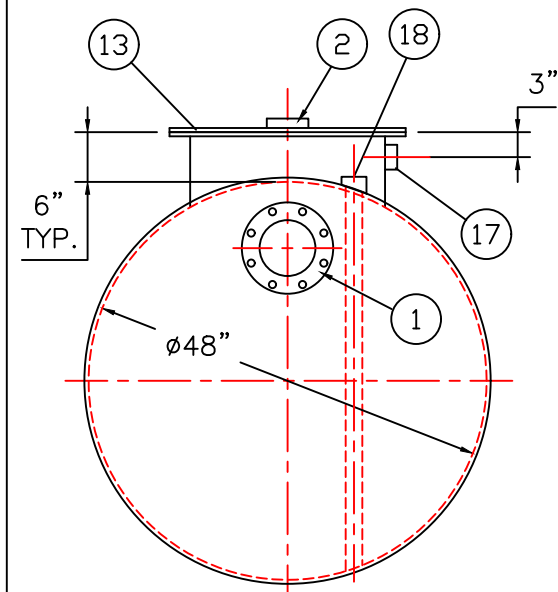
1. 150# R.F.S.O. FLANGE W/ 2" FNPT FOR VENT
2. 4"Ø FNPT FOR GAUGE WITH PLUG
3. VELOCITY HEAD DIFFUSION BAFFLE
4. WEAR PLATE
5. SEDIMENT CHAMBER
6. UNDERFLOW BAFFLE (REMOVABLE)
7. SLUDGE BAFFLE
8. STRIKER PLATES
9. PARALLEL CORRUGATED PLATE COALESCER. CORELLA PVC PLATES (3" PLATE SPACING)
10. OIL/WATER SEPARATOR CHAMBER
11. 6" THICK PETROSCREEN COALESCER MATERIAL INSTALLED W/ PULL ROD SHIPPED LOOSE
12. STEEL OUTLET DOWNCOMER
13. 24"Ø MANWAY
14. 4"Ø FNPT FOR OIL PUMP-OUT WITH INTERNAL PVC PIPE INSTALLED
15. 2"Ø FNPT FOR LEVEL SENSOR
16. LIFTING LUG
17. 2"Ø FNPT FOR VENT
18. 2"Ø FNPT FOR LEAK SENSOR
19. STEEL TRANSFER PIPING
20. 7 GA. BULKHEAD
21. SLUDGE CHAMBER

ANCILLARY PROVIDED EQUIPMENT

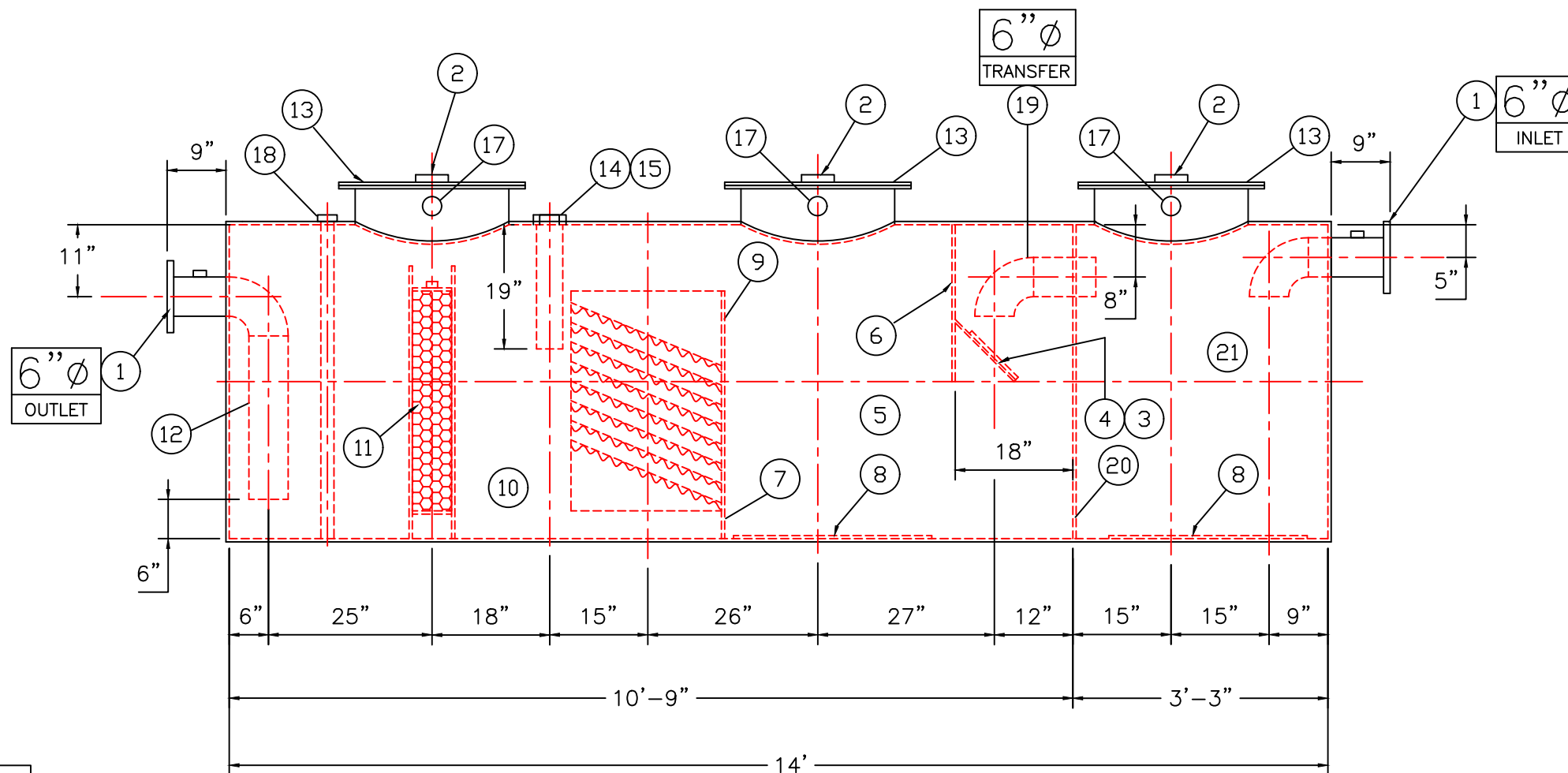
- (3) 24" FIBREFLEX MANWAY GASKETS
- (3) SETS OF NUTS/BOLTS/WASHERS FOR 24" MANWAY

NOTES

1. ALL VENT PIPING BY INSTALLER



END VIEW



ELEVATION

REVISIONS



Highland Tank

U.S. Patent #4,722,800 Canadian Patent # 1,296,263

1000 GALLON OIL WATER SEPARATOR
 HTC-G, ABOVEGROUND CYLINDRICAL,
 DW TYPE I 360

CUSTOMER:

PROJECT:

QUOTE NO:

CHK'D BY:

UNLESS OTHERWISE SPECIFIED DIMENSIONS ARE IN INCHES
 TOLERANCES ARE + OR - 1"

SCALE:
 1/2"=1'-0"

DATE:

DWG. BY:

DWG. NO.:

01000AGCYLDWHTCG

NOTE :
 ALL RIGHTS RESERVED. THIS DRAWING OR ANY PART THEREOF MUST NOT BE REPRODUCED IN ANY FORM WITHOUT THE WRITTEN PERMISSION OF HIGHLAND TANK.
 HIGHLAND TANK SHALL BE RESPONSIBLE ONLY FOR ITEMS INDICATED ON THIS FABRICATION DRAWING UNLESS OTHERWISE NOTED. CUSTOMER IS RESPONSIBLE FOR VERIFYING CORRECTNESS OF SIZE / LOCATION OF FITTINGS , ACCESSORIES & COATINGS SHOWN ON THIS DRAWING