

CUSTOMER APPROVAL

THE CUSTOMER HAS REVIEWED THIS DRAWING AND VERIFIED THE ACCURACY OF ALL INFORMATION AND DIMENSIONS.

SIGNED: _____

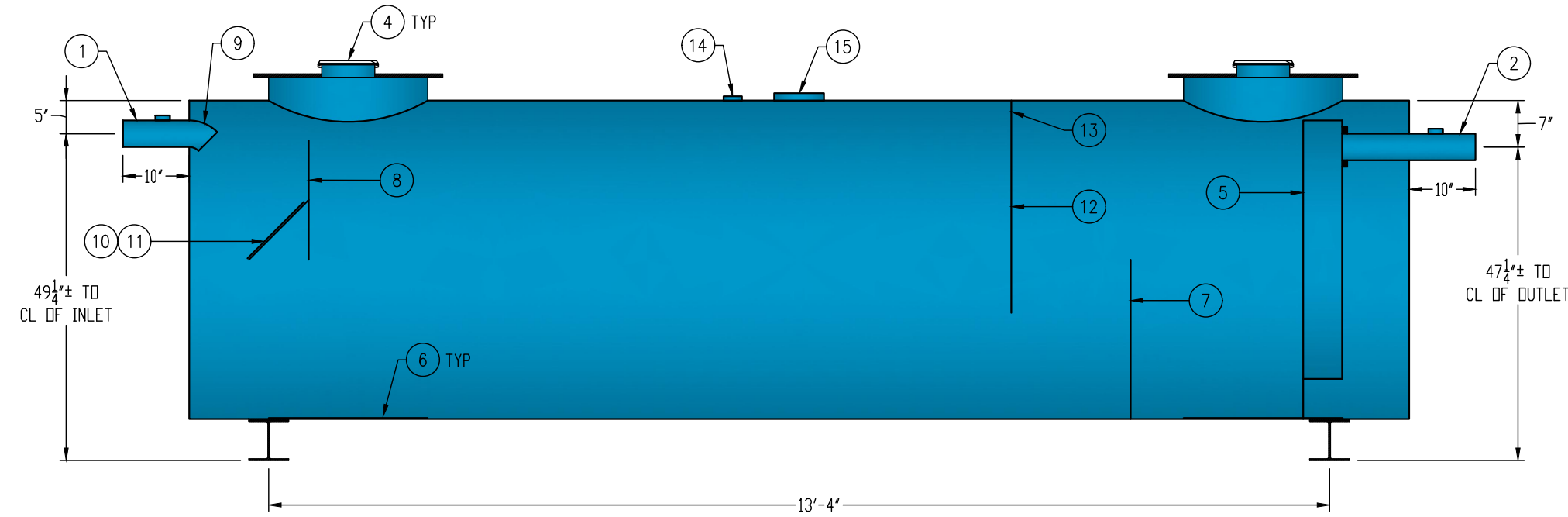
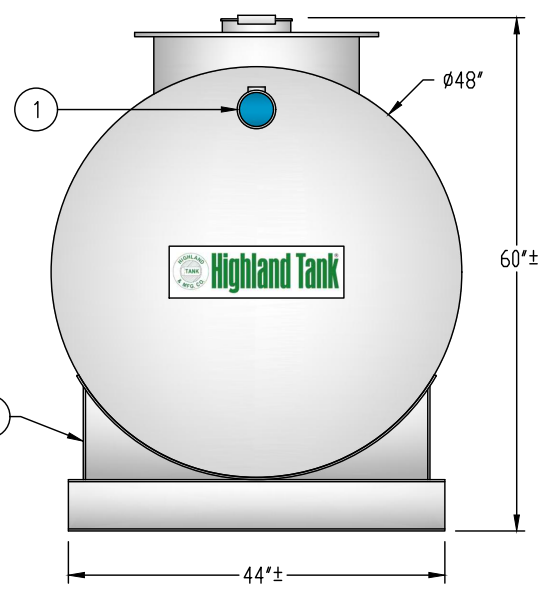
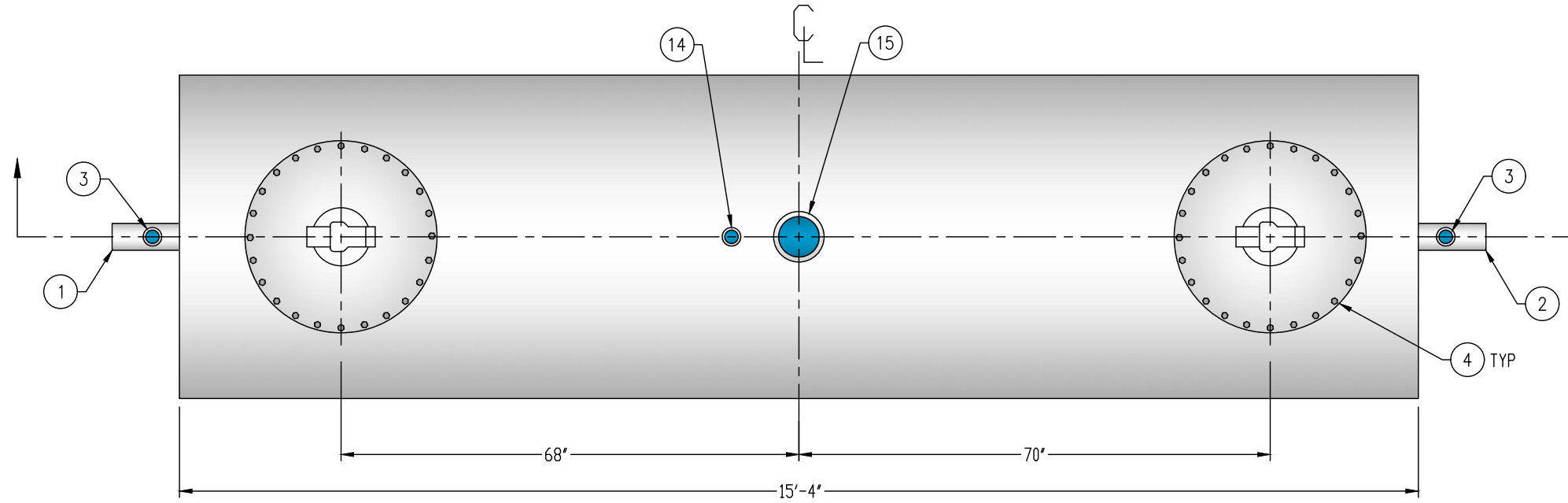
DATE: _____

GENERAL SPECIFICATIONS

QUANTITY: ONE (1)
 MODEL: PGI-1250-2 AC
 OPERATING CAPACITY: 1,254 GALLONS
 TYPE: SINGLE WALL, ABOVEGROUND
 MATERIAL: 7 GA CARBON STEEL
 LAP FIT AND WELD INTERIOR AND EXTERIOR SEAMS
 TANK TEST: 3-5 PSI AIR TEST
 SURFACE PREP: SSPC-SP 10 BLAST INTERIOR SURFACES
 SSPC-SP 6 BLAST EXTERIOR SURFACES
 EXT. COATING: WHITE URETHANE - 3-5 MILS
 INT. COATING: CHEMTHANE 4200 PW (15 MILS DFT)
 OPERATING PRESSURE: ATMOSPHERIC

PROVIDED EQUIPMENT

1. 4"Ø SCH 40 PIPE STUB - INLET
2. 4"Ø SCH 40 PIPE STUB - OUTLET
3. 2" HC - VENT
4. 24"Ø MANWAY WITH 8" EASY-ACCESS HATCH
5. 6" SQUARE STEEL OUTLET BAFFLE WITH OPEN TOP
6. STRIKER PLATE
7. SLUDGE BAFFLE - 7 GA
8. UNDERFLOW BAFFLE - 7 GA
9. 4"Ø 45° DIFFUSION ELBOW
10. REMOVABLE DIFFUSION PLATE - 7 GA
11. 12" x 12" WEAR PLATE - 1/4"
12. GREASE DAM - 7 GA
13. 2" HOLE IN GREASE DAM FOR AIR CIRCULATION
14. 2" HC - NORMAL TANK VENT
15. 6" HC - EMERGENCY VENT
16. 6" HIGH STEEL SADDLE - SEAL-WELD TO TANK



SECTION VIEW

NOTE:
 ALL RIGHTS RESERVED. THIS DRAWING, OR ANY PART THEREOF, MUST NOT BE REPRODUCED IN ANY FORM WITHOUT WRITTEN PERMISSION FROM HIGHLAND TANK. UNLESS OTHERWISE NOTED, HIGHLAND TANK SHALL BE RESPONSIBLE ONLY FOR ITEMS INDICATED ON THIS FABRICATION DRAWING. THE CUSTOMER IS RESPONSIBLE FOR VERIFYING THE CORRECTNESS OF THE TYPE, SIZE, AND LOCATION OF ALL FITTINGS, ACCESSORIES, AND COATINGS SHOWN ON THIS DRAWING.



PASSIVE GREASE INTERCEPTOR
 1,250 GALLON DOUBLE-BASIN

CUSTOMER: _____
 PROJECT: _____
 QUOTE NO.: _____
 SCALE: _____ DATE: 4/1/19 DWG. BY: MGS DWG. NO.: PGI-1250-2 AC

DIMENSION TOLERANCE: ± 1" NTS