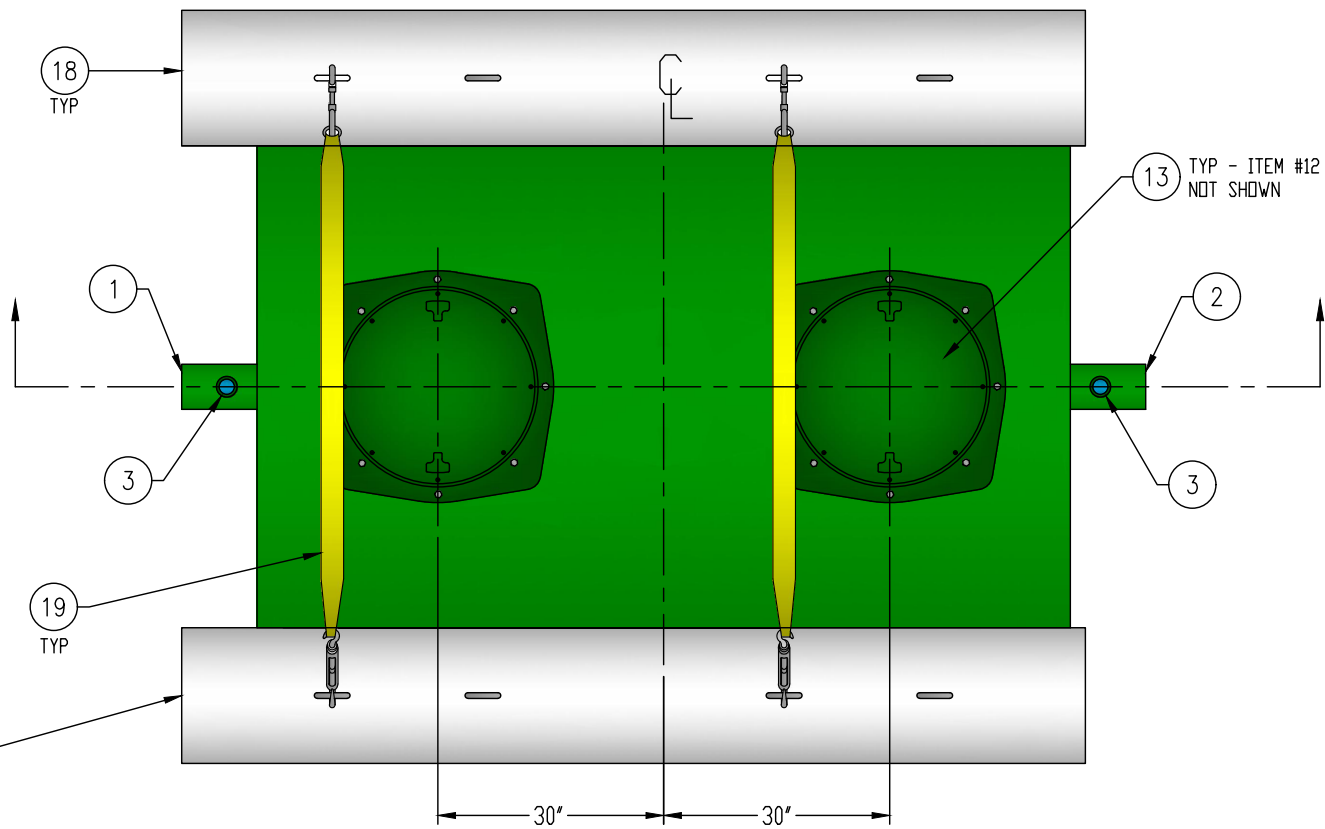


**CUSTOMER APPROVAL**

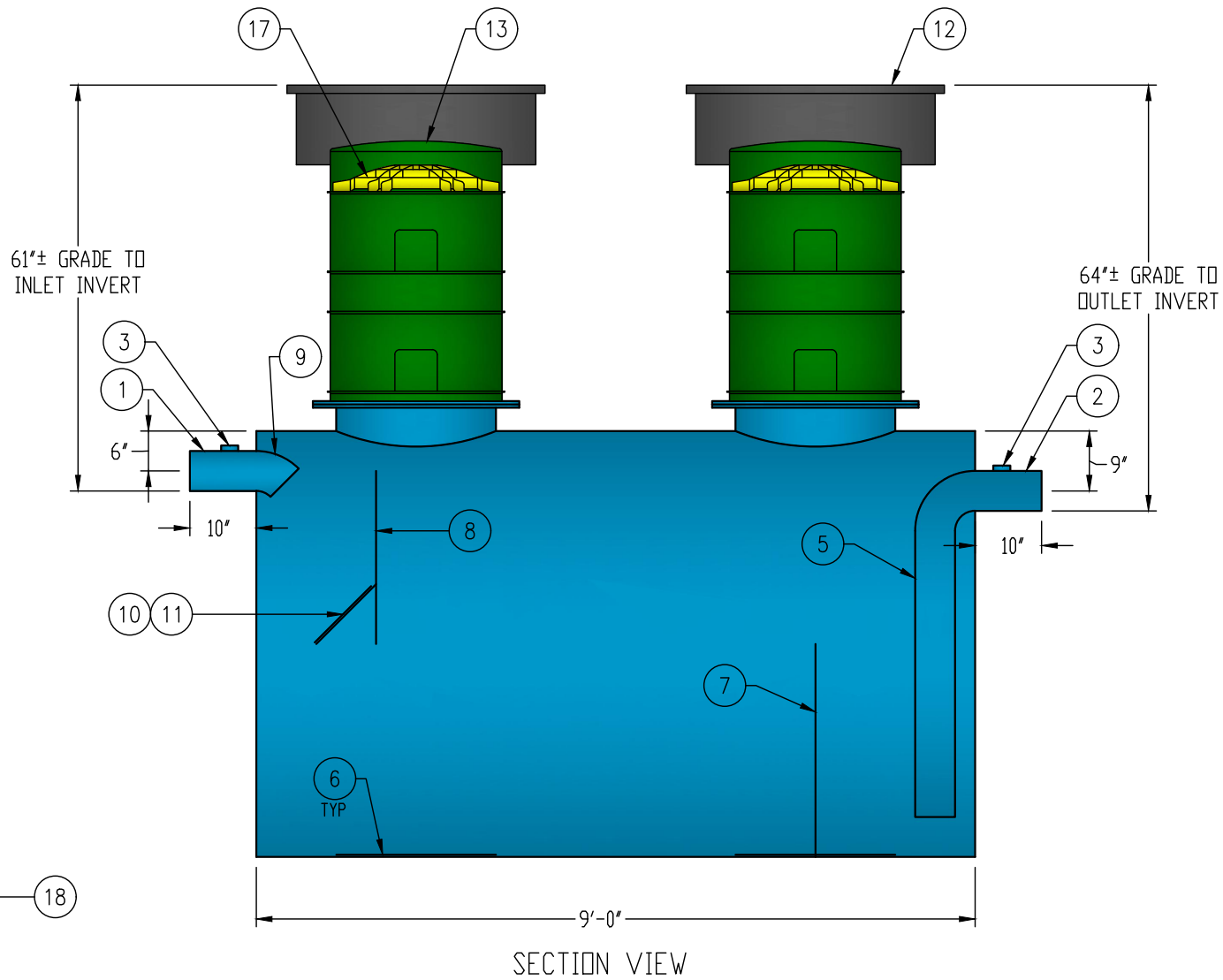
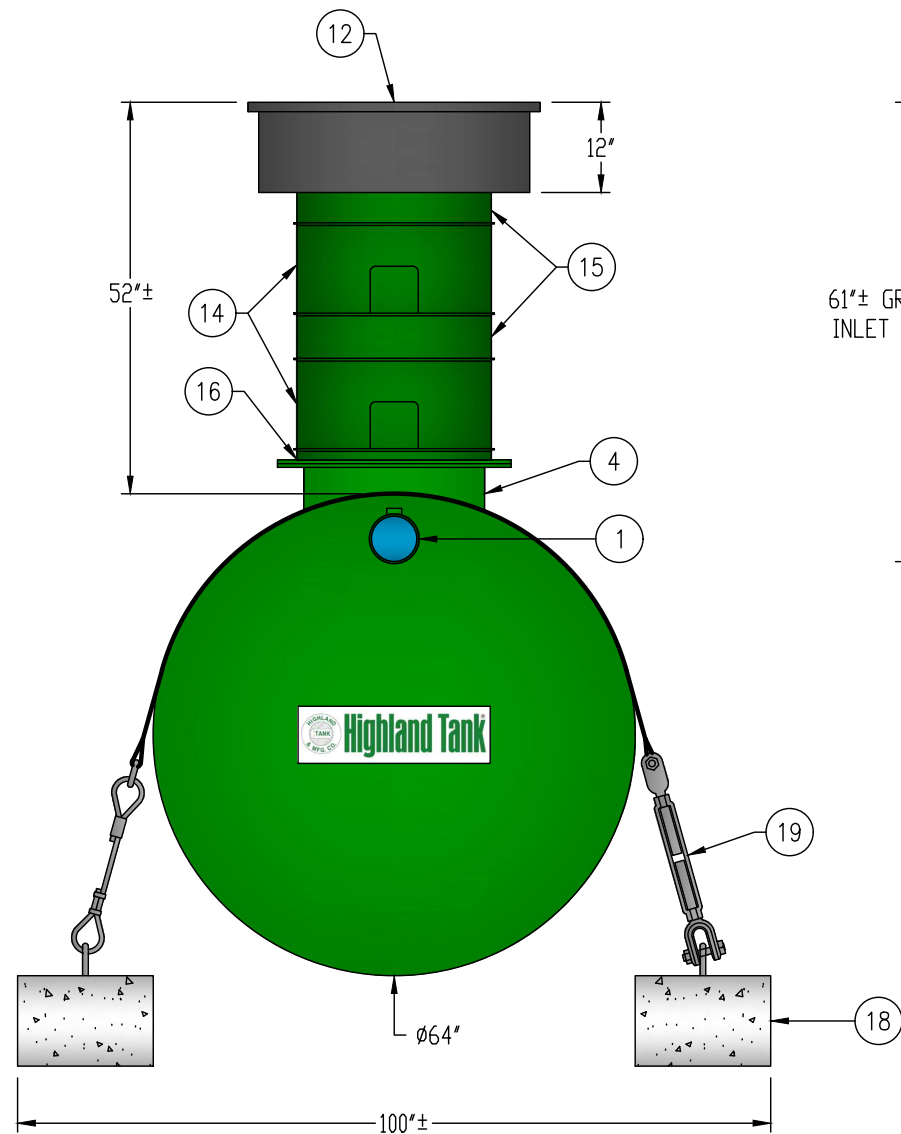
THE CUSTOMER HAS REVIEWED THIS DRAWING AND VERIFIED THE ACCURACY OF ALL INFORMATION AND DIMENSIONS.

SIGNED: \_\_\_\_\_

DATE: \_\_\_\_\_



APPROXIMATE LOCATIONS SHOWN FOR DEADMEN & HOLD-DOWN STRAPS. ACTUAL LOCATIONS TO BE DETERMINED AT TIME OF INSTALLATION



SECTION VIEW

**GENERAL SPECIFICATIONS**

QUANTITY: ONE (1)  
 MODEL: OSI-1500-1  
 CAPACITY: 1,500 GALLONS  
 FLOW RATE: 150 GPM  
 TYPE: SINGLE WALL, HIGHGUARD, UNDERGROUND  
 MATERIAL: 7 GA CARBON STEEL  
 MATERIAL BASED ON 60" MAXIMUM BURIAL DEPTH  
 LAP FIT AND WELD INTERIOR AND EXTERIOR SEAMS  
 TANK TEST: 3-5 PSI AIR TEST  
 SURFACE PREP: SSPC-SP 10 BLAST INTERIOR SURFACES  
 SSPC-SP 6 BLAST EXTERIOR SURFACES  
 EXT. COATING: HIGHGUARD POLYURETHANE - 75 MILS  
 INT. COATING: CHEMTHANE 4200 PW (15 MILS DFT)  
 OPERATING PRESSURE: ATMOSPHERIC

NOTE: OPTIONAL 2" VENTS ON MANWAY RISERS AT THE DISCRETION OF THE OWNER

**PROVIDED EQUIPMENT**

1. 6"Ø SCH 40 PIPE STUB - INLET
2. 6"Ø SCH 40 PIPE STUB - OUTLET
3. 2" HC - VENT
4. 24"Ø MANWAY FOR STACKABLE RISER
5. 6"Ø SCH 40 TRANSFER PIPE
6. STRIKER PLATE
7. SLUDGE BAFFLE - 7 GA
8. UNDERFLOW BAFFLE - 7 GA
9. 6"Ø 45° DIFFUSION ELBOW
10. DIFFUSION BAFFLE - 7 GA
11. 12" x 12" WEAR PLATE - 1/4"
12. 36"Ø GRADE-LEVEL MANWAY - SHIPPED LOOSE
13. 24"Ø PVC COVER
14. (2) 24"Ø x 12" STACKABLE RISER - ALL STACKABLE RISER COMPONENTS ARE PRE-ASSEMBLED AND COMPLETE MANWAY RISER IS SHIPPED LOOSE
15. (2) 24"Ø x 6" STACKABLE RISER
16. STACKABLE RISER ADAPTER RING & GASKET
17. STACKABLE RISER SAFETY SCREEN
18. (2) CDA-15 CONCRETE DEADMAN
19. (2) POLYESTER HOLD-DOWN STRAPS

NOTE:  
 ALL RIGHTS RESERVED. THIS DRAWING, OR ANY PART THEREOF, MUST NOT BE REPRODUCED IN ANY FORM WITHOUT WRITTEN PERMISSION FROM HIGHLAND TANK. UNLESS OTHERWISE NOTED, HIGHLAND TANK SHALL BE RESPONSIBLE ONLY FOR ITEMS INDICATED ON THIS FABRICATION DRAWING. THE CUSTOMER IS RESPONSIBLE FOR VERIFYING THE CORRECTNESS OF THE TYPE, SIZE, AND LOCATION OF ALL FITTINGS, ACCESSORIES, AND COATINGS SHOWN ON THIS DRAWING.



**OIL/SAND INTERCEPTOR**  
**1,500 GALLON SINGLE-BASIN**

CUSTOMER: \_\_\_\_\_

PROJECT: \_\_\_\_\_

QUOTE NO.: \_\_\_\_\_

ORDER: \_\_\_\_\_

SCALE: \_\_\_\_\_ DATE: 2/15/18 DWG. BY: MGS DWG. NO.: OSI-1500-1

DIMENSION TOLERANCE: ± 1"