

NOTE: ALL RIGHTS RESERVED. THIS DRAWING MUST NOT BE REPRODUCED IN ANY FORM WITHOUT THE WRITTEN PERMISSION OF HIGHLAND TANK. HIGHLAND TANK SHALL BE RESPONSIBLE ONLY FOR ITEMS INDICATED ON THIS FABRICATION DRAWING UNLESS OTHERWISE NOTED. CUSTOMER IS RESPONSIBLE FOR VERIFYING CORRECTNESS OF SIZE AND LOCATION OF FITTINGS, ACCESSORIES, AND CONTINGS SHOWN ON THIS DRAWING. TOUCH UP OF FINISHED PAINT IS REQUIRED BY INSTALLATION CONTRACTOR. TOUCH UP PAINT SHIPPED WITH TANK.

**NOTES**

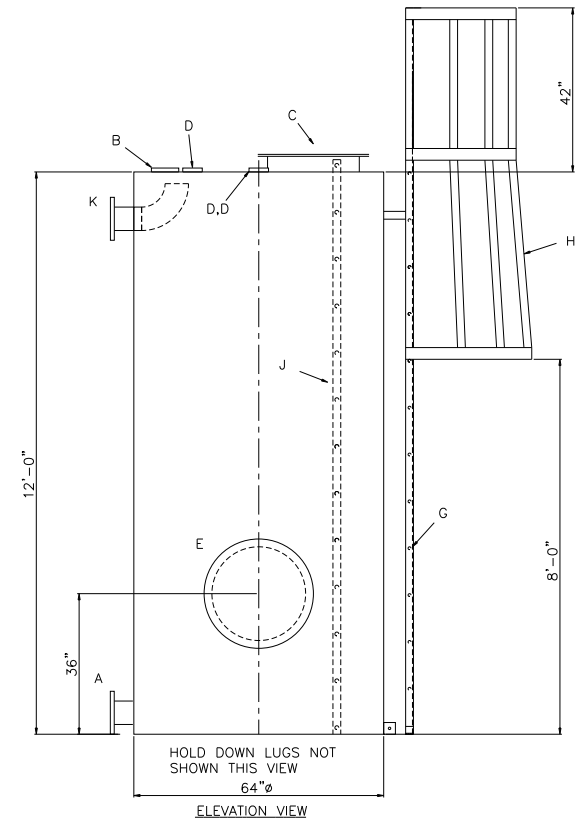
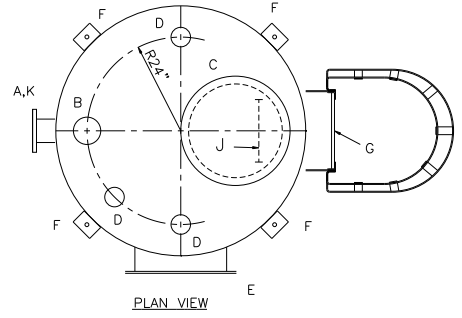
1. SEE PLAN VIEW FOR TRUE ORIENTATION AND LOCATION OF FITTING
2. LIFTING LUGS FOR UNLOADING UNIT & STANDING UNIT UPRIGHT TO BE PLACED AS NEEDED BY FABRICATION SHOP
3. A 3x5/4" STEEL GROUNDING LUG WITH A 5/8"Ø HOLE IN CENTER TO BE PLACED ON SHELL AT BOTTOM OF TANK IN LINE WITH LIFTING LUGS

**DESIGN DATA**

CAPACITY – 2,000 GALLON  
 TYPE – SINGLE WALL ABOVEGROUND VERTICAL  
 NO. REQ. – –  
 OPERATING PRESSURE – ATMOSPHERIC  
 SPECIFIC GRAVITY = 1.0  
 TANK MATERIAL – MILD CARBON STEEL  
 THICKNESS – TOP: 10 GA FLAT  
 THICKNESS – BOTTOM: 1/4" FLAT  
 THICKNESS – SHELL: 7 GA  
 CONSTRUCTION – LAP WELD INSIDE & OUTSIDE  
 TANK TEST – 2 PSIG  
 INT. FINISH – SSPC SP10 BLAST, HighDRO-LINER PLUS FOR NSF 61 APPLICATIONS  
 EXT. FINISH – SSPC SP6 BLAST, URETHANE PAINT OR OTHER TO BE SPECIFIED.  
 LABEL – UL 142

**LEGEND**

- A FLANGE – SUPPLY
- B THREADED – VENT
- C 24" X 1/4" PLATE TIGHT BOLT MANWAY WITH 1/8" THICK NEO-CORK GASKET
- D 4" FNPT CONNECTION
- E 24" CLOSE BOLT MANWAY WITH 1/8" THICK NEO-CORK GASKET
- F HOLD DOWN LUG – QTY VARIES PER TANK
- G STD HTM EXTERNAL LADDER – PAINTED SAFETY YELLOW AND SHIPPED LOOSE FOR INSTALLATION ON SITE BY OTHERS
- H STD HTM SAFETY CAGE – PAINTED SAFETY YELLOW AND SHIPPED LOOSE FOR INSTALLATION ON SITE BY OTHERS
- J STD HTM INTERNAL LADDER
- K FLANGE WITH INTERNALS SHOWN – OVERFLOW



 <b>Highland Tank</b> <sup>®</sup>	
<b>HighDRO<sup>®</sup> WATER STORAGE TANK</b> 2,000 GAL 64"Ø AV POTABLE WATER TANK	
CUSTOMER:	
PROJECT:	
QUOTE NO:	CHK'D BY:
SCALE: 1/2"=1'-0"	DATE:
DWG BY:	DWG NO: 02000AVSWHDPWT64