

**GENERAL SPECIFICATIONS**

NO. REQ'D: (1)  
 CAPACITY: 2000 GALLONS  
 TYPE: HTC-G, HIGHGUARD, DW TYPE I 360  
 MATERIAL: MILD CARBON STEEL  
 FLOW RATE: 200 GPM  
 GAUGE: BASED ON 60" MAX BURIAL

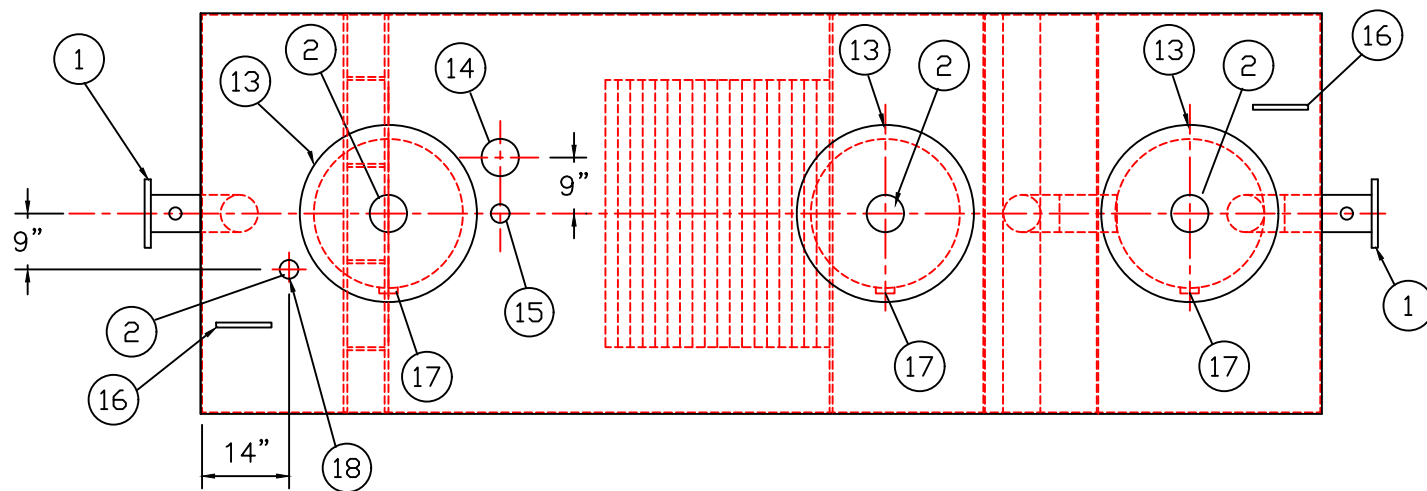
	INNER	OUTER
SHELL-	7 GA.	10 GA.
HEADS-	7 GA.	10 GA.

SURFACE PREP:  
 SSPC NO.6 BLAST ALL EXTERIOR SURFACES  
 SSPC NO.10 BLAST ALL INTERIOR SURFACES

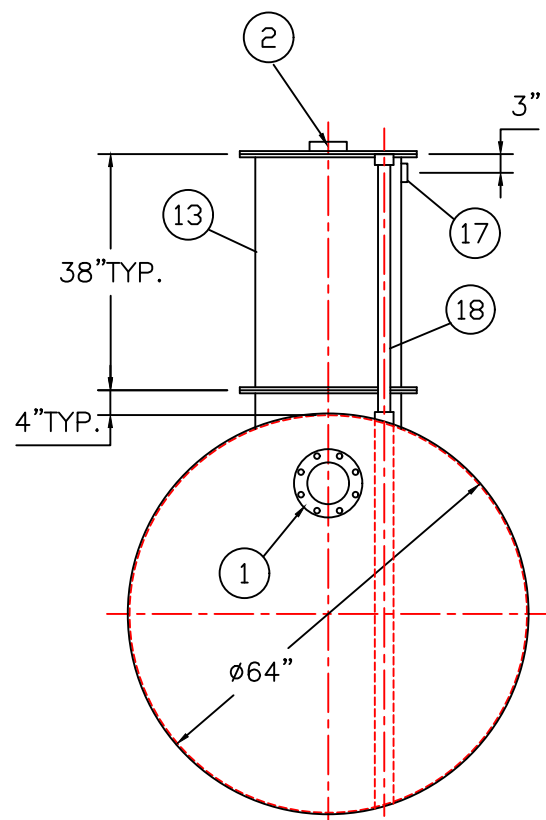
COATING:	MATERIAL	THICKNESS
EXTERIOR-	HIGHGUARD	(75 MILS)
INTERIOR-	CHEMLINE 4200 PW	(15 MILS)

CONSTRUCTION :  
 LAP FIT & WELD ALL EXTERIOR SEAMS

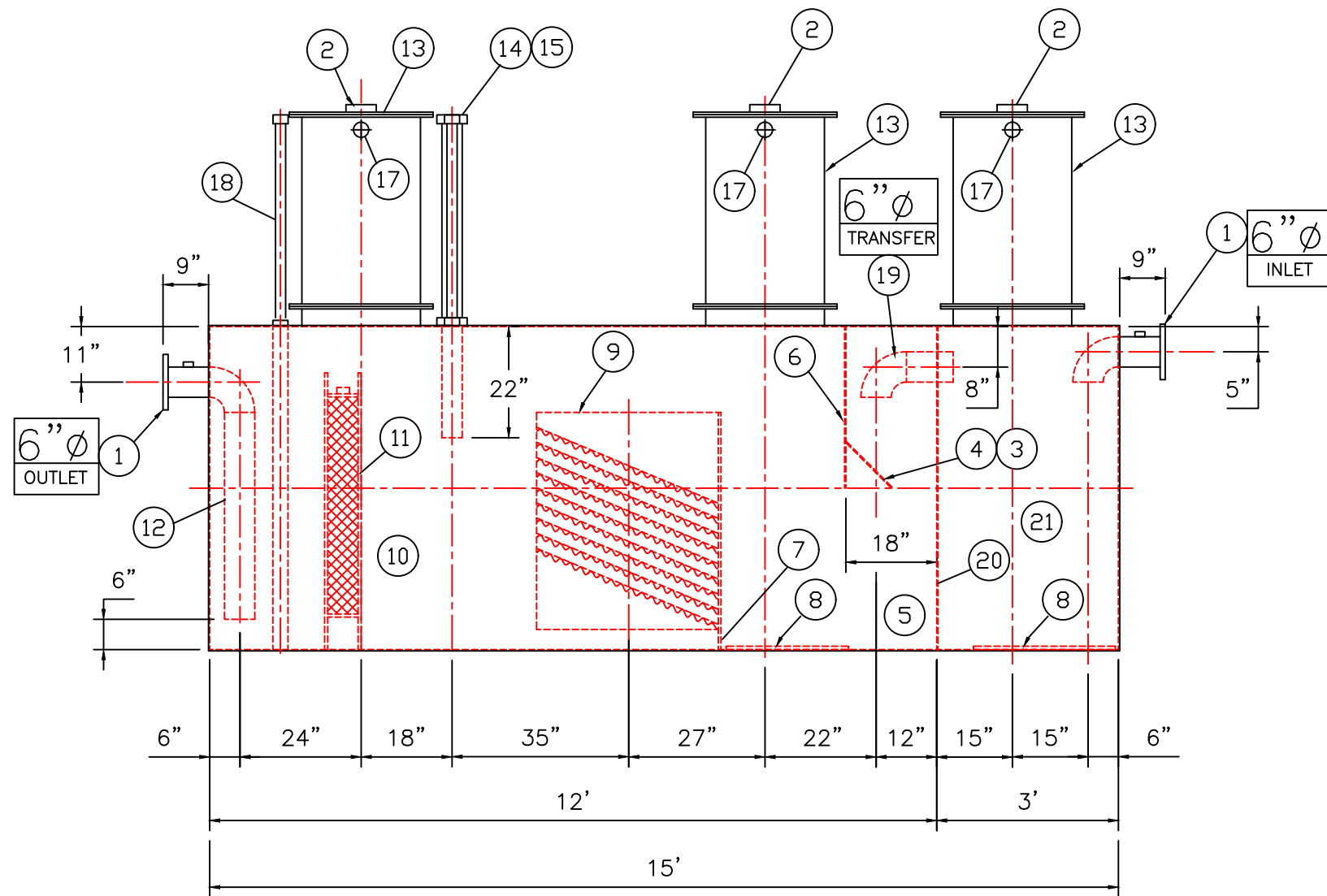
OPERATING PRESSURE : ATMOSPHERIC



PLAN



END VIEW



ELEVATION

**PROVIDED EQUIPMENT**

- 150# R.F.S.O. FLANGE W/ 2" FNPT FOR VENT
- 4"Ø FNPT FOR GAUGE WITH PLUG
- VELOCITY HEAD DIFFUSION BAFFLE
- WEAR PLATE
- SEDIMENT CHAMBER
- UNDERFLOW BAFFLE (REMOVABLE)
- SLUDGE BAFFLE
- STRIKER PLATES
- PARALLEL CORRUGATED PLATE COALESCER. CORELLA PVC PLATES (3" PLATE SPACING)
- OIL/WATER SEPARATOR CHAMBER
- 6" THICK PETROSCREEN COALESCER MATERIAL INSTALLED W/ PULL ROD SHIPPED LOOSE
- STEEL OUTLET DOWNCOMER
- 24"Ø MANWAY WITH BOLT-ON EXTENSION SHIPPED LOOSE
- 4"Ø FNPT FOR OIL PUMP-OUT WITH INTERNAL PVC PIPE INSTALLED & RISER PIPE SHIPPED LOOSE
- 2"Ø FNPT FOR LEVEL SENSOR WITH RISER PIPE SHIPPED LOOSE
- LIFTING LUG
- 2"Ø FNPT FOR VENT
- 2"Ø FNPT FOR LEAK SENSOR WITH RISER PIPE SHIPPED LOOSE
- STEEL TRANSFER PIPING
- 7 GA. BULKHEAD
- SLUDGE CHAMBER

**ANCILLARY PROVIDED EQUIPMENT**

- (6) 24" FIBREFLEX MANWAY GASKETS
- (6) SETS OF NUTS/BOLTS/WASHERS FOR 24" MANWAY

**NOTES**

- POLYURETHANE HIGHGUARD TANK IS NOT APPROVED FOR THE STORAGE OF HEATED PRODUCTS
- ALL VENT PIPING BY INSTALLER
- 15000 VOLT SPARK TEST PROVIDED AT FACTORY

REVISIONS



**Highland Tank**

U.S. Patent #4,722,800 Canadian Patent # 1,296,263

2000 GALLON OIL WATER SEPARATOR  
 HTC-G, HIGHGUARD, DW TYPE I 360

CUSTOMER:

PROJECT:

QUOTE NO:

CHK'D BY:

UNLESS OTHERWISE SPECIFIED DIMENSIONS ARE IN INCHES  
 TOLERANCES ARE + OR - 1"

SCALE:  
 3/8"=1'-0"

DATE:

DWG. BY:

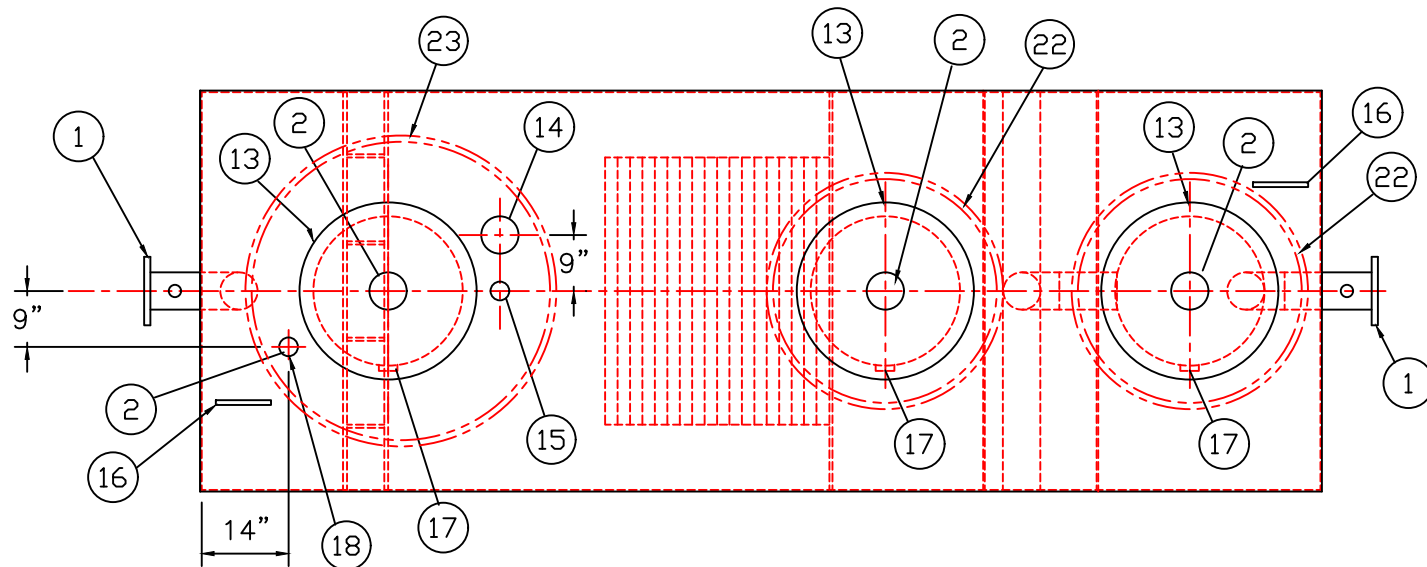
DWG. NO.:

02000HGDWHTCG

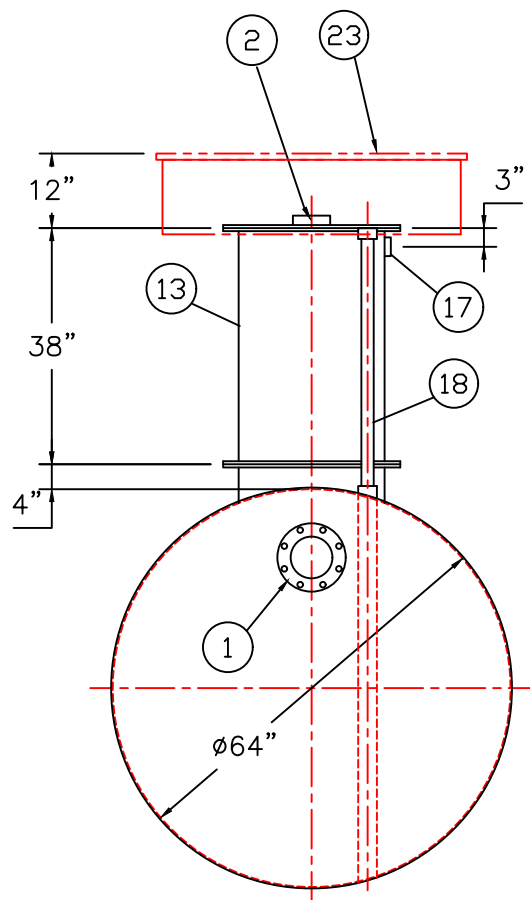
NOTE :  
 ALL RIGHTS RESERVED. THIS DRAWING OR ANY PART THEREOF MUST NOT BE REPRODUCED IN ANY FORM WITHOUT THE WRITTEN PERMISSION OF HIGHLAND TANK.  
 HIGHLAND TANK SHALL BE RESPONSIBLE ONLY FOR ITEMS INDICATED ON THIS FABRICATION DRAWING UNLESS OTHERWISE NOTED. CUSTOMER IS RESPONSIBLE FOR VERIFYING CORRECTNESS OF SIZE / LOCATION OF FITTINGS , ACCESSORIES & COATINGS SHOWN ON THIS DRAWING

**GENERAL SPECIFICATIONS**

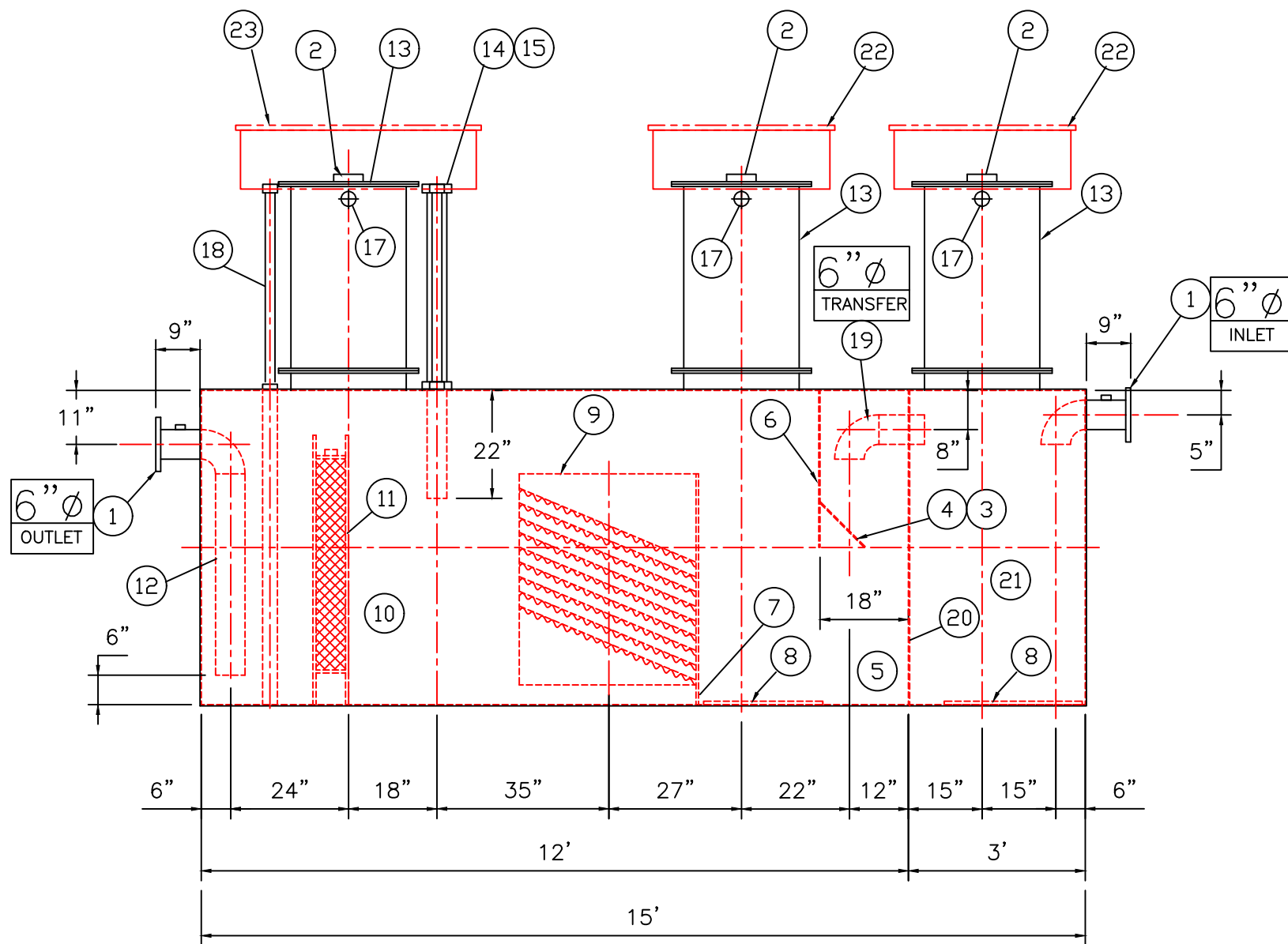
NO. REQ'D: (1)  
 CAPACITY: 2000 GALLONS  
 TYPE: HTC-G, HIGHGUARD, DW TYPE I 360  
 MATERIAL: MILD CARBON STEEL  
 FLOW RATE: 200 GPM  
 GAUGE: BASED ON 60" MAX BURIAL  
 SHELL- INNER 7 GA. OUTER 10 GA.  
 HEADS- 7 GA. 10 GA.  
 SURFACE PREP:  
 SSPC NO.6 BLAST ALL EXTERIOR SURFACES  
 SSPC NO.10 BLAST ALL INTERIOR SURFACES  
 COATING: MATERIAL THICKNESS  
 EXTERIOR- HIGHGUARD (75 MILS)  
 INTERIOR- CHEMLINE 4200 PW (15 MILS)  
 CONSTRUCTION :  
 LAP FIT & WELD ALL EXTERIOR SEAMS  
 OPERATING PRESSURE : ATMOSPHERIC



**PLAN**



**END VIEW**



**ELEVATION**

**PROVIDED EQUIPMENT**

1. 150# R.F.S.O. FLANGE W/ 2" FNPT FOR VENT
2. 4"Ø FNPT FOR GAUGE WITH PLUG
3. VELOCITY HEAD DIFFUSION BAFFLE
4. WEAR PLATE
5. SEDIMENT CHAMBER
6. UNDERFLOW BAFFLE (REMOVABLE)
7. SLUDGE BAFFLE
8. STRIKER PLATES
9. PARALLEL CORRUGATED PLATE COALESCER. CORELLA PVC PLATES (3" PLATE SPACING)
10. OIL/WATER SEPARATOR CHAMBER
11. 6" THICK PETROSCREEN COALESCER MATERIAL INSTALLED W/ PULL ROD SHIPPED LOOSE
12. STEEL OUTLET DOWNCOMER
13. 24"Ø MANWAY WITH BOLT-ON EXTENSION SHIPPED LOOSE
14. 4"Ø FNPT FOR OIL PUMP-OUT WITH INTERNAL PVC PIPE INSTALLED & RISER PIPE SHIPPED LOOSE
15. 2"Ø FNPT FOR LEVEL SENSOR WITH RISER PIPE SHIPPED LOOSE
16. LIFTING LUG
17. 2"Ø FNPT FOR VENT
18. 2"Ø FNPT FOR LEAK SENSOR WITH RISER PIPE SHIPPED LOOSE
19. STEEL TRANSFER PIPING
20. 7 GA. BULKHEAD
21. SLUDGE CHAMBER
22. GLM-36 ROUND GRADE LEVEL MANWAY
23. GLM-48 ROUND GRADE LEVEL MANWAY

**ANCILLARY PROVIDED EQUIPMENT**

- (6) 24" FIBREFLEX MANWAY GASKETS
- (6) SETS OF NUTS/BOLTS/WASHERS FOR 24" MANWAY

**NOTES**

1. POLYURETHANE HIGHGUARD IS NOT APPROVED FOR THE STORAGE OF HEATED PRODUCTS
2. ALL VENT PIPING BY INSTALLER
3. 15000 VOLT SPARK TEST PROVIDED AT FACTORY

**REVISIONS**



**Highland Tank**

U.S. Patent #4,722,800 Canadian Patent # 1,296,263

2000 GALLON OIL WATER SEPARATOR  
 HTC-G, HIGHGUARD, DW TYPE I 360

**CUSTOMER:**

**PROJECT:**

**QUOTE NO.:**

**CHK'D BY:**

UNLESS OTHERWISE SPECIFIED DIMENSIONS ARE IN INCHES  
 TOLERANCES ARE + OR - 1"

SCALE: 3/8"=1'-0"

DATE:

DWG. BY:

DWG. NO.:

02000HGDWHTCG

NOTE :  
 ALL RIGHTS RESERVED. THIS DRAWING OR ANY PART THEREOF MUST NOT BE REPRODUCED IN ANY FORM WITHOUT THE WRITTEN PERMISSION OF HIGHLAND TANK.  
 HIGHLAND TANK SHALL BE RESPONSIBLE ONLY FOR ITEMS INDICATED ON THIS FABRICATION DRAWING UNLESS OTHERWISE NOTED. CUSTOMER IS RESPONSIBLE FOR VERIFYING CORRECTNESS OF SIZE / LOCATION OF FITTINGS , ACCESSORIES & COATINGS SHOWN ON THIS DRAWING