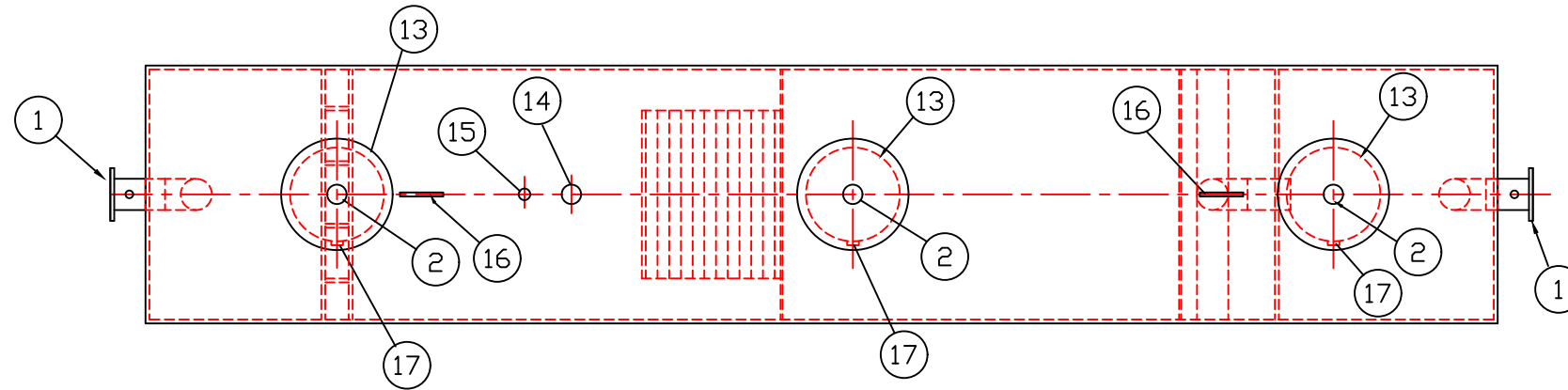


### GENERAL SPECIFICATIONS

NO. REQ'D: (1)  
 CAPACITY: 4000 GALLONS  
 TYPE: HTC-G, ABOVEGROUND CYLINDRICAL, SINGLE WALL  
 MATERIAL: MILD CARBON STEEL  
 FLOW RATE: 400 GPM  
 GAUGE:  
 SHELL- 7 GA.  
 HEADS- 7 GA.  
 SURFACE PREP:  
 SSPC NO.6 BLAST ALL EXTERIOR SURFACES  
 SSPC NO.10 BLAST ALL INTERIOR SURFACES  
 COATING:            **MATERIAL**            **THICKNESS**  
 EXTERIOR-   CHEMPRIME 3001           (3-6 MILS)  
                   CHEMTHANE 3300           (2-3 MILS)  
                   TOP COAT "WHITE"  
 INTERIOR-   CHEMLINE 4200 PW       (15 MILS)  
 CONSTRUCTION :  
 LAP FIT & WELD ALL EXTERIOR SEAMS  
 OPERATING PRESSURE : ATMOSPHERIC



PLAN

### PROVIDED EQUIPMENT

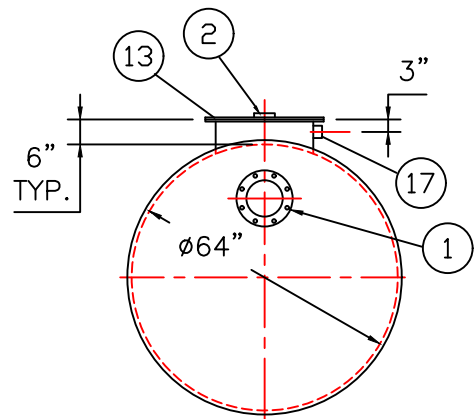
1. 150# R.F.S.O. FLANGE W/ 2" FNPT FOR VENT
2. 4" FNPT FOR GAUGE WITH PLUG
3. VELOCITY HEAD DIFFUSION BAFFLE
4. WEAR PLATE
5. SEDIMENT CHAMBER
6. UNDERFLOW BAFFLE (REMOVABLE)
7. SLUDGE BAFFLE
8. STRIKER PLATES
9. PARALLEL CORRUGATED PLATE COALESCER. CORELLA PVC PLATES (3" PLATE SPACING)
10. OIL/WATER SEPARATOR CHAMBER
11. 6" THICK PETROSCREEN COALESCER MATERIAL INSTALLED W/ PULL ROD SHIPPED LOOSE
12. STEEL OUTLET DOWNCOMER
13. 24" MANWAY
14. 4" FNPT FOR OIL PUMP-OUT WITH INTERNAL PVC PIPE INSTALLED
15. 2" FNPT FOR LEVEL SENSOR
16. LIFTING LUG
17. 2" FNPT FOR VENT
18. SLUDGE CHAMBER
19. STEEL TRANSFER PIPING
20. 7 GA. BULKHEAD

### ANCILLARY PROVIDED EQUIPMENT

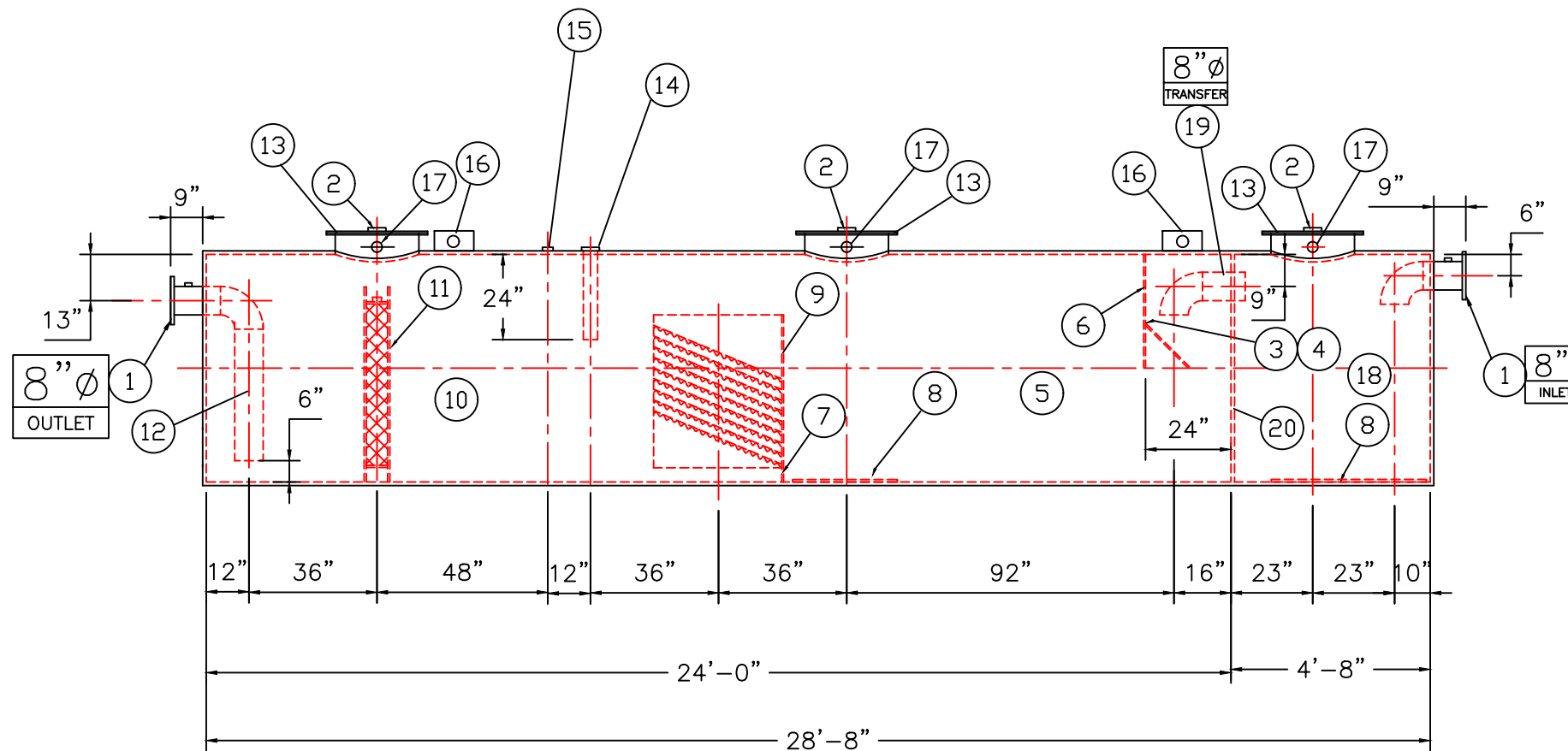
- (3) 24" FIBREFLEX MANWAY GASKETS
- (3) SETS OF NUTS/BOLTS/WASHERS FOR 24" MANWAY

### NOTES

1. ALL VENT PIPING BY INSTALLER



END VIEW



ELEVATION

### REVISIONS



# Highland Tank

U.S. Patent #4,722,800    Canadian Patent # 1,296,263

4000 GALLON OIL WATER SEPARATOR  
 HTC-G, ABOVEGROUND CYLINDRICAL,  
 SINGLE WALL

CUSTOMER:

PROJECT:

QUOTE NO:

CHK'D BY:

UNLESS OTHERWISE SPECIFIED DIMENSIONS ARE IN INCHES  
 TOLERANCES ARE + OR - 1"

SCALE:  
 1/4"=1'-0"

DATE:

DWG. BY:

DWG. NO.:

04000AGCYLSWHTCG

NOTE :  
 ALL RIGHTS RESERVED. THIS DRAWING OR ANY PART THEREOF MUST NOT BE REPRODUCED IN ANY FORM WITHOUT THE WRITTEN PERMISSION OF HIGHLAND TANK.  
 HIGHLAND TANK SHALL BE RESPONSIBLE ONLY FOR ITEMS INDICATED ON THIS FABRICATION DRAWING UNLESS OTHERWISE NOTED. CUSTOMER IS RESPONSIBLE FOR VERIFYING CORRECTNESS OF SIZE / LOCATION OF FITTINGS , ACCESSORIES & COATINGS SHOWN ON THIS DRAWING