

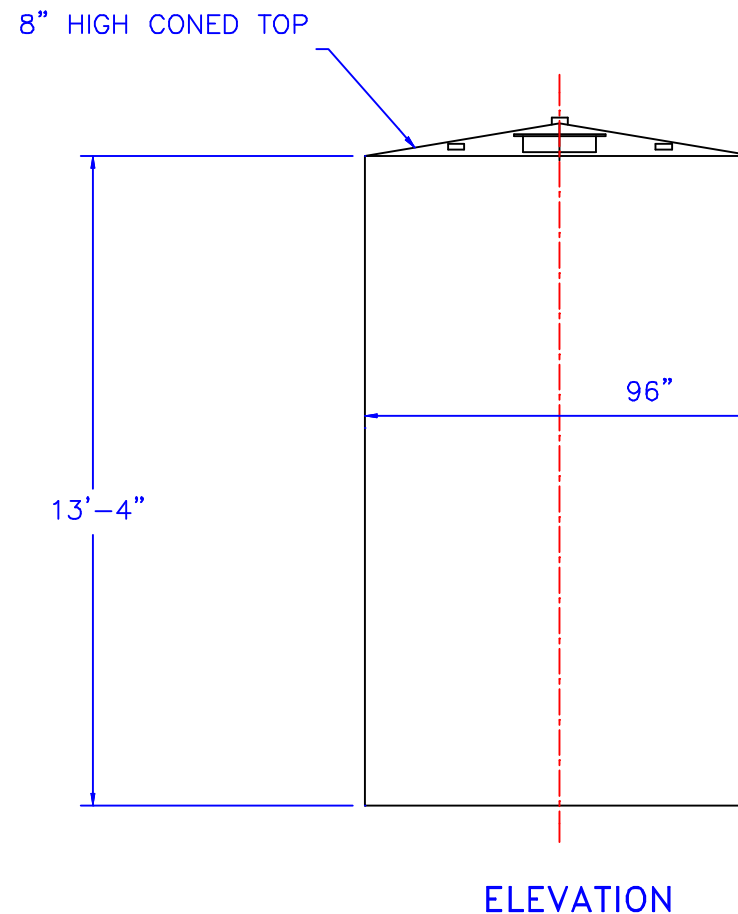
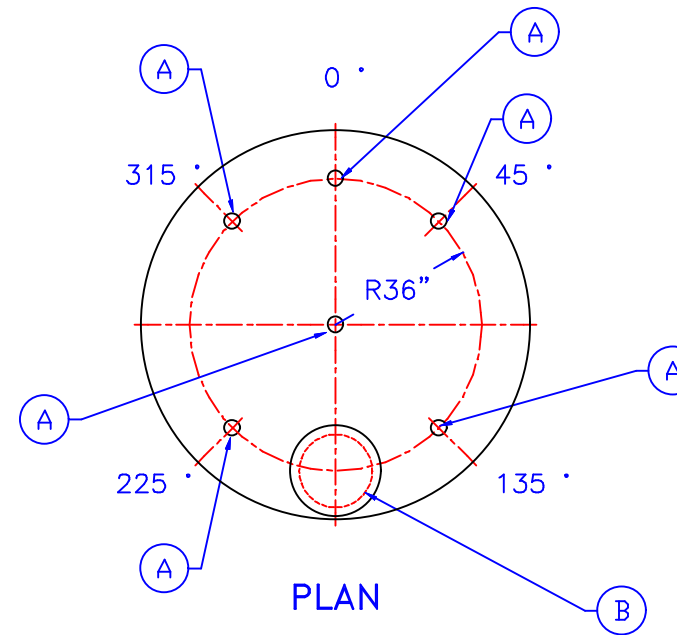
NOTE :
 ALL RIGHTS RESERVED. THIS DRAWING OR ANY PART THEREOF MUST NOT BE REPRODUCED IN ANY FORM WITHOUT THE WRITTEN PERMISSION OF HIGHLAND TANK.
 HIGHLAND TANK SHALL BE RESPONSIBLE ONLY FOR ITEMS INDICATED ON THIS FABRICATION DRAWING UNLESS OTHERWISE NOTED. CUSTOMER IS RESPONSIBLE FOR VERIFYING CORRECTNESS OF SIZE / LOCATION OF FITTINGS , ACCESSORIES & COATINGS SHOWN ON THIS DRAWING

NOTE:
 SEE PLAN VIEW FOR TRUE ORIENTATION & LOCATION OF FITTINGS

NOTE:
 LIFTING LUGS FOR UNLOADING UNIT & STANDING UNIT UPRIGHT TO BE PLACED AS NEEDED BY FABRICATION SHOP

FITTING SCHEDULE

A= 4" ϕ NPT
 B= 18" ϕ LOOSEBOLT MANHOLE (EMERGENCY VENT)



GENERAL NOTES

CAPACITY : 5000 GALLONS
 TYPE : SINGLE WALL, ABOVEGROUND VERTICAL
 NO. REQ. :
 MATERIAL : MILD CARBON STEEL
 TEST : 1.5 TO 2.5 P.S.I.
 MIN. GAUGE OR THICKNESS (PER U.L. 142):
 BOTTOM HEAD : 1/4"
 SHELL : 1/4"
 TOP HEAD : 7 GA. CONE

PAINT :
 INTERIOR : NONE
 EXTERIOR : RED PRIMER
 CONSTRUCTION : FLAT BOTTOM HEAD, CONED TOP HEAD.
 LAP WELD ALL EXTERIOR SEAMS EXCEPT
 BUTT WELD ALL LONGITUDINAL SEAMS
 APPROVED LABELS : U.L. 142

REVISIONS



Highland Tank

5000 GALLON ABOVEGROUND VERTICAL
 SINGLE WALL

CUSTOMER:

PROJECT:

QUOTE NO:

CHK'D BY:

SCALE:

DATE:

DWG. BY:

DWG. NO.:

1/4"=1'-0"

5-19-99

5K AV SW