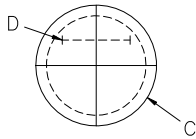
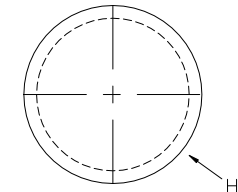


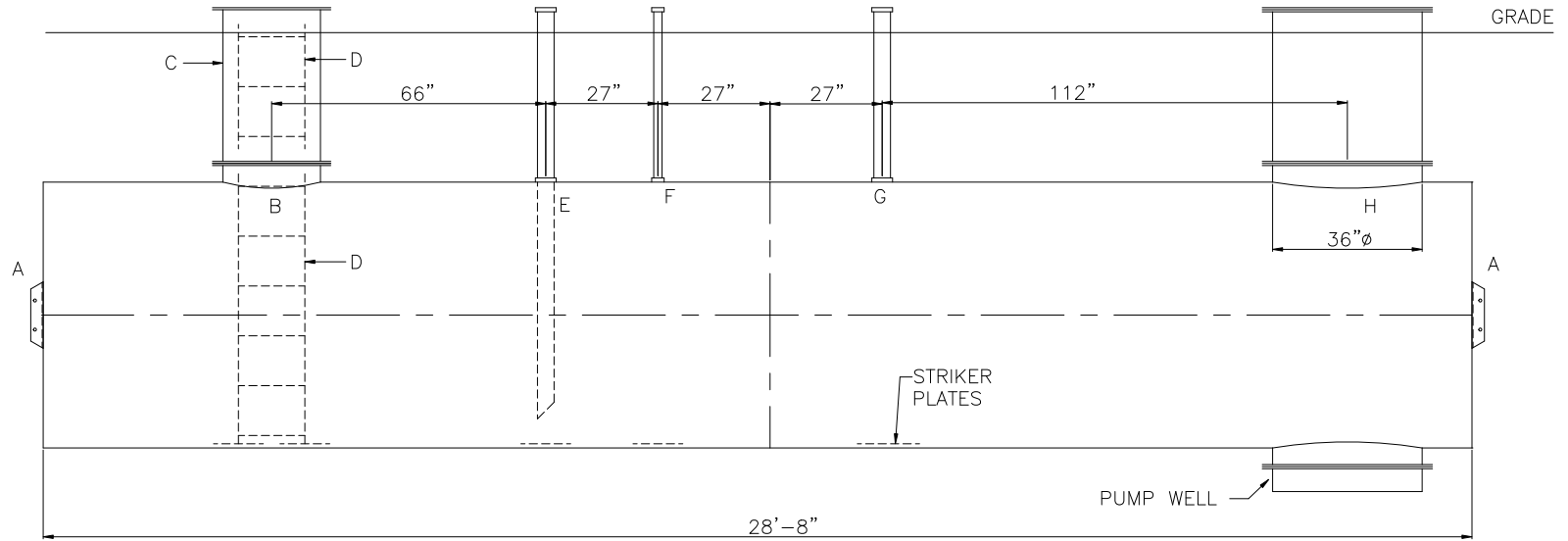
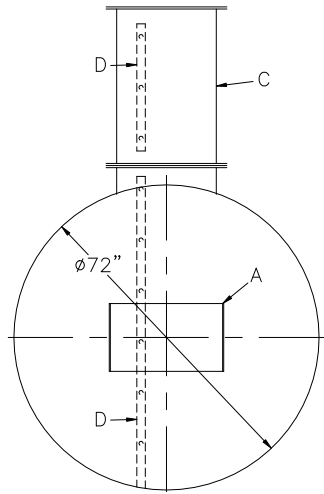
NOTE: ALL RIGHTS RESERVED. THIS DRAWING MUST NOT BE REPRODUCED IN ANY FORM WITHOUT THE WRITTEN PERMISSION OF HIGHLAND TANK. HIGHLAND TANK SHALL BE RESPONSIBLE ONLY FOR ITEMS INDICATED ON THIS FABRICATION DRAWING UNLESS OTHERWISE NOTED. CUSTOMER IS RESPONSIBLE FOR VERIFYING CORRECTNESS OF SIZE AND LOCATION OF FITTINGS, ACCESSORIES, AND COATINGS SHOWN ON THIS DRAWING.



TOP VIEW OF THE MANWAY



TOP VIEW OF THE MANWAY



**DESIGN DATA**

CAPACITY - 6,000 GALLONS
TYPE - SINGLE WALL, HIGHGUARD UNDERGROUND
NO. REQ. - -
OPERATING PRESSURE - ATMOSPHERIC
TANK MATERIAL - MILD CARBON STEEL
THICKNESS - HEADS- 7 GA
THICKNESS - SHELL- .187"
*GA THK. BASED ON 60" MAX. BURIAL DEPTH
CONSTRUCTION - FLAT FLANGED HEADS, LAP WELD INSIDE & OUTSIDE
TANK TEST - 5 PSIG
INT. FINISH - SSPC SP10 BLAST, HighDRO®-LINER PLUS FOR NFPA 22 APPLICATIONS
EXT. FINISH - SP6 BLAST, 75 MILS POLYURETHANE
LABEL - UL-1746 PART IV, HIGHGUARD

**NOTES:**

- 1) THE HIGHGUARD TANK IS NOT APPROVED FOR THE STORAGE OF HEATED PRODUCTS.
- 2) 15,000 VOLT SPARK TEST PROVIDED AT FACTORY.
- 3) SHOP TO INSTALL 1/4"x12"x12" STRIKER PLATES, ROLLED AND SEAL WELD TO THE TANK.

**LEGEND**

A	HTM SPIN BRK'T - MFG USE ONLY - NOT TO BE USED FOR FIELD INSTALLATION	G	FNPT FITTING (VENT CONNECTION)
B	24"Ø TIGHT BOLT MANWAY w/ 1/8" NEO-CORK GASKET MATERIAL.	H	FIRE PUMP OPTION 36"Ø TIGHT BOLT MANWAY & MANWAY EXTENSION w/ 1/8" NEO-CORK GASKET MATERIAL AND FIRE PUMP W/ DISCHARGE CONNECTION, BOTTOM SUMP PUMP WELL
C	24"Ø MANWAY EXTENSION & COVER PLATE		
D	16" WIDE INTERNAL LADDER W/ 3/4" RUNGS ON 12" SPACING.		
E	FNPT FITTING WITH SCH 40 DROP TO WITHIN 6" OF TANK BOTTOM (FILL CONNECTION)		
F	2" FNPT FITTING (SENSOR CONNECTION)		

 <h1 style="margin: 0;">Highland Tank</h1>	
UNLESS NOTED, TOLERANCES ARE +/- 1"	
HighDRO® WATER STORAGE TANK	
6,000 GAL 72"Ø UG FIRE PROTECTION WATER TANK	
CUSTOMER:	
PROJECT:	
QUOTE NO:	CHK'D BY:
SCALE: 3/8"=1'-0"	DWG. NO.: 6000UGSWHDFPTPW72