

NOTE: ALL RIGHTS RESERVED. THIS DRAWING MUST NOT BE REPRODUCED IN ANY FORM WITHOUT THE WRITTEN PERMISSION OF HIGHLAND TANK®. HIGHLAND TANK® SHALL BE RESPONSIBLE ONLY FOR ITEMS INDICATED ON THIS FABRICATION DRAWING UNLESS OTHERWISE NOTED. CUSTOMER IS RESPONSIBLE FOR VERIFYING CORRECTNESS OF SIZE AND LOCATION OF FITTINGS, ACCESSORIES, AND COATINGS SHOWN ON THIS DRAWING.

TOUCH UP OF FINISHED PAINT IS REQUIRED BY INSTALLATION CONTRACTOR. TOUCH UP PAINT SHIPPED WITH TANK.

NOTES

1. SEE PLAN VIEW FOR TRUE ORIENTATION AND LOCATION OF FITTING
2. LIFTING LUGS FOR UNLOADING UNIT & STANDING UNIT UPRIGHT TO BE PLACED AS NEEDED BY FABRICATION SHOP
3. A 3x3x1/4" STEEL GROUNDING LUG WITH A 5/8"Ø HOLE IN CENTER TO BE PLACED ON SHELL AT BOTTOM OF TANK IN LINE WITH LIFTING LUGS

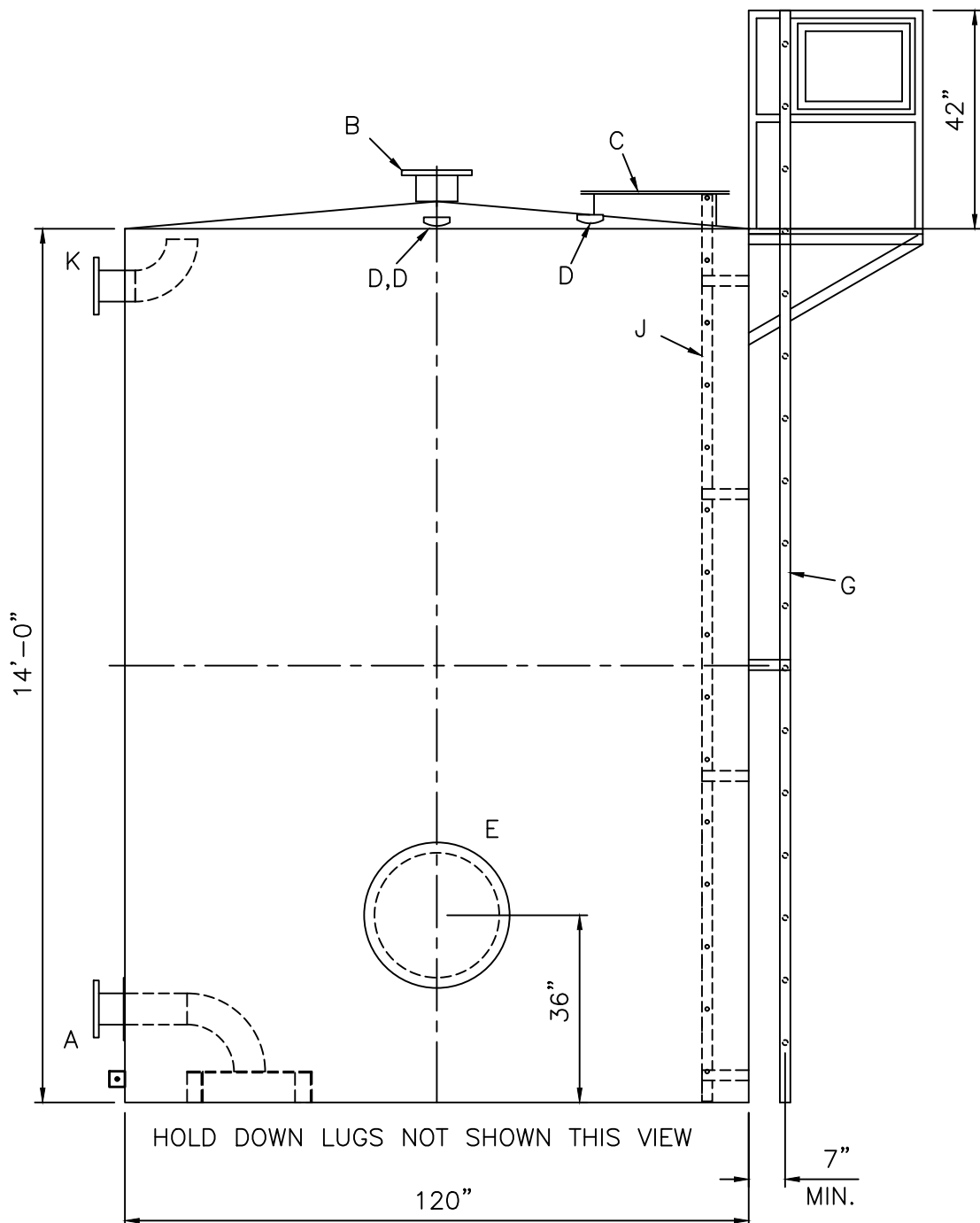
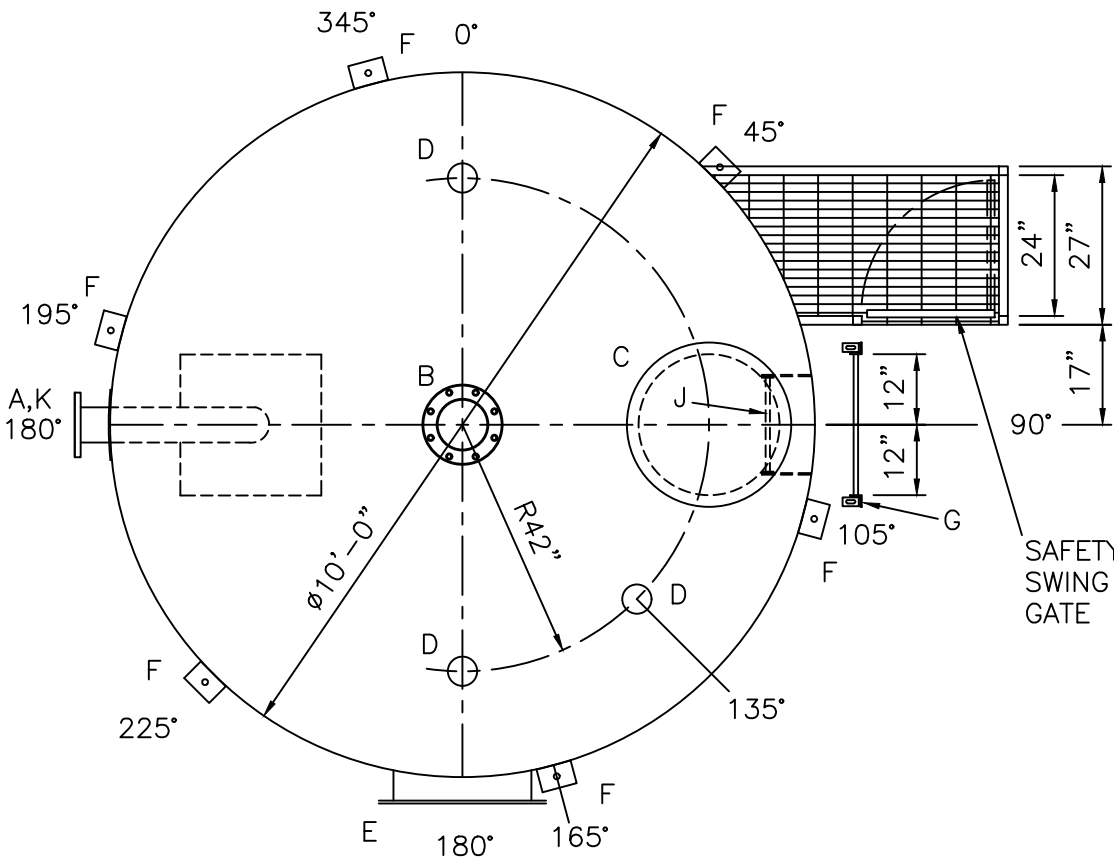
DESIGN DATA

CAPACITY – 8,000 GALLON
TYPE – SINGLE WALL ABOVEGROUND VERTICAL
NO. REQ. – –
OPERATING PRESSURE – ATMOSPHERIC
SPECIFIC GRAVITY = 1.0
TANK MATERIAL – MILD CARBON STEEL
THICKNESS – TOP: 7 GA SHALLOW SLOPE
THICKNESS – BOTTOM: 1/4" FLAT
THICKNESS – SHELL: 1/4"
CONSTRUCTION – LAP WELD INSIDE & OUTSIDE
TANK TEST – 2 PSIG
INT. FINISH – SSPC SP10 BLAST, HighDRO®-LINER PLUS FOR NFPA 22 APPLICATIONS
EXT. FINISH – SSPC SP6 BLAST, URETHANE PAINT OR OTHER TO BE SPECIFIED.
LABEL – NONE

LEGEND

A	FLANGE WITH INTERNAL VORTEX BREAKER PER NFPA 22
B	FLANGE – VENT
C	24" X 1/4" PLATE TIGHT BOLT MANWAY WITH 1/8" THICK NEO-CORK GASKET
D	4" FNPT CONNECTION
E	24" CLOSE BOLT MANWAY WITH 1/8" THICK NEO-CORK GASKET
F	HOLD DOWN LUG – QTY VARIES PER TANK
G	STD HTM EXTERNAL LADDER – PAINTED SAFETY YELLOW AND SHIPPED LOOSE FOR INSTALLATION ON SITE BY OTHERS
H	–
J	STD HTM INTERNAL LADDER
K	FLANGE WITH INTERNALS SHOWN – OVERFLOW

FALL PROTECTION AVAILABLE UPON REQUEST.



 Highland Tank	
UNLESS NOTED, TOLERANCES ARE +/- 1"	
HighDRO® WATER STORAGE TANK	
8,000 GAL 10'Ø AV FIRE PROTECTION TANK	
CUSTOMER:	
PROJECT:	
QUOTE NO:	CHK'D BY:
SCALE: 3/8"=1'-0"	DATE:
DWG. BY:	DWG. NO.:
08000AVSWHDFPT120	