

NOTE: ALL RIGHTS RESERVED. THIS DRAWING MUST NOT BE REPRODUCED IN ANY FORM WITHOUT THE WRITTEN PERMISSION OF HIGHLAND TANK. HIGHLAND TANK SHALL BE RESPONSIBLE ONLY FOR ITEMS INDICATED ON THIS FABRICATION DRAWING UNLESS OTHERWISE NOTED. CUSTOMER IS RESPONSIBLE FOR VERIFYING CORRECTNESS OF SIZE AND LOCATION OF FITTINGS, ACCESSORIES, AND COATINGS SHOWN ON THIS DRAWING. TOUCH UP OF FINISHED PAINT IS REQUIRED BY INSTALLATION CONTRACTOR. TOUCH UP PAINT SHIPPED WITH TANK.

NOTES

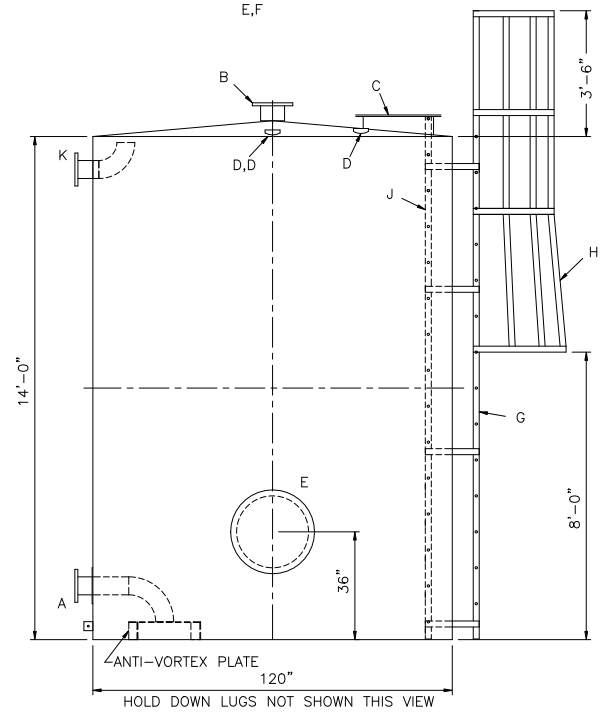
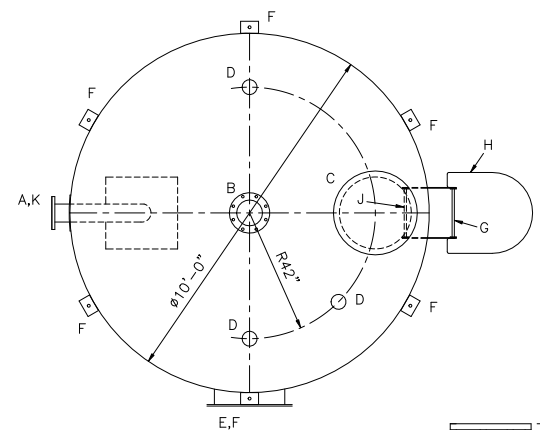
1. SEE PLAN VIEW FOR TRUE ORIENTATION AND LOCATION OF FITTING
2. LIFTING LUGS FOR UNLOADING UNIT & STANDING UNIT UPRIGHT TO BE PLACED AS NEEDED BY FABRICATION SHOP
3. A 3x3x1/2" STEEL GROUNDING LUG WITH A 3/8" Ø HOLE IN CENTER TO BE PLACED ON SHELL AT BOTTOM OF TANK IN LINE WITH LIFTING LUGS

DESIGN DATA

CAPACITY - 8,000 GALLON
 TYPE - SINGLE WALL ABOVEGROUND VERTICAL
 NO. REQ. - -
 OPERATING PRESSURE - ATMOSPHERIC
 SPECIFIC GRAVITY = 1.0
 TANK MATERIAL - MILD CARBON STEEL
 THICKNESS - TOP: 7 GA SHALLOW SLOPE
 THICKNESS - BOTTOM: 1/4" FLAT
 THICKNESS - SHELL: 1/4"
 CONSTRUCTION - LAP WELD INSIDE & OUTSIDE
 TANK TEST - 2 PSIG
 INT. FINISH - SSPC SP10 BLAST, HighDRO®-LINER PLUS FOR NFPA 22 APPLICATIONS
 EXT. FINISH - SSPC SP6 BLAST, URETHANE PAINT OR OTHER TO BE SPECIFIED.
 LABEL - NONE

LEGEND

- A FLANGE WITH INTERNAL ANTI-VORTEX PLATE PER NFPA 22
- B FLANGE - VENT
- C 24" X 1/4" PLATE TIGHT BOLT MANWAY WITH 1/8" THICK NEO-CORK GASKET
- D 4" FNPT CONNECTION
- E 24" CLOSE BOLT MANWAY WITH 1/8" THICK NEO-CORK GASKET
- F HOLD DOWN LUG - QTY VARIES PER TANK
- G STD HTM EXTERNAL LADDER - PAINTED SAFETY YELLOW AND SHIPPED LOOSE FOR INSTALLATION ON SITE BY OTHERS
- H STD HTM SAFETY CAGE - PAINTED SAFETY YELLOW AND SHIPPED LOOSE FOR INSTALLATION ON SITE BY OTHERS
- J STD HTM INTERNAL LADDER
- K FLANGE WITH INTERNALS SHOWN - OVERFLOW



 Highland Tank	
UNLESS NOTED, TOLERANCES ARE +/- 1"	
HighDRO® WATER STORAGE TANK 8,000 GAL 96" Ø SINGLE-WALL ABOVEGROUND VERTICAL FOR FIRE PROTECTION WITH BOTTOM DRAIN	
CUSTOMER:	
PROJECT:	
QUOTE NO:	CHK'D BY:
SCALE: 3/8"=1'-0"	DATE:
DWG. BY:	DWG. NO:
08000AVSWHDFPTBD120	