

GENERAL SPECIFICATIONS

NO. REQ'D: (1)
 CAPACITY: 8000 GALLONS
 TYPE: HTC-EZ, ABOVEGROUND CYLINDRICAL, SINGLE WALL
 MATERIAL: MILD CARBON STEEL
 FLOW RATE: 800 GPM
 GAUGE:
 SHELL- 1/4"
 HEADS- 1/4"
 SURFACE PREP:
 SSPC NO.6 BLAST ALL EXTERIOR SURFACES
 SSPC NO.10 BLAST ALL INTERIOR SURFACES
 COATING: MATERIAL THICKNESS
 EXTERIOR- CHEMPRIME 3001 (3-6 MILS)
 CHEMTHANE 3300, TOP COAT "WHITE" (2-3 MILS)
 INTERIOR- CHEMLINE 4200 PW (15 MILS)
 CONSTRUCTION :
 LAP FIT & WELD ALL EXTERIOR SEAMS
 OPERATING PRESSURE : ATMOSPHERIC

PROVIDED EQUIPMENT

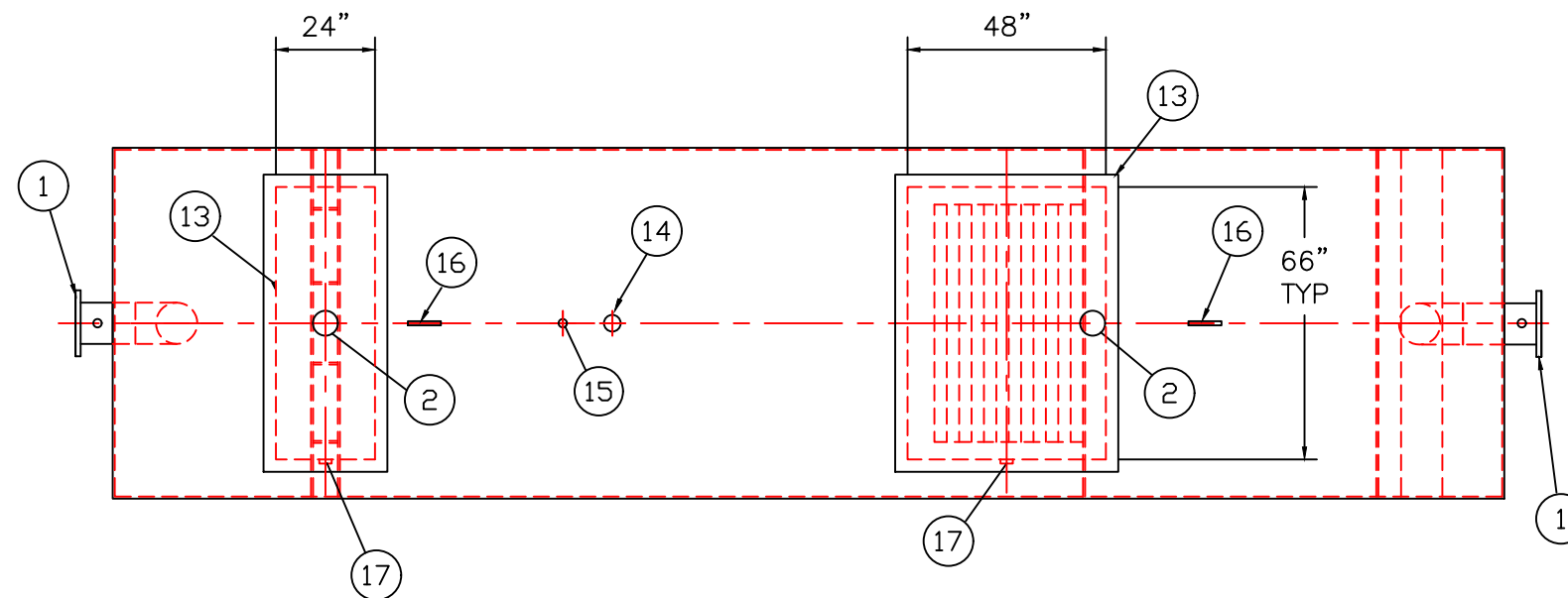
1. 150# R.F.S.O. FLANGE W/ 2" FNPT FOR VENT
2. 4"Ø FNPT FOR GAUGE WITH PLUG
3. VELOCITY HEAD DIFFUSION BAFFLE
4. WEAR PLATE
5. SEDIMENT CHAMBER
6. UNDERFLOW BAFFLE
7. SLUDGE BAFFLE
8. STRIKER PLATES
9. REMOVABLE PARALLEL CORRUGATED PLATE COALESCER. CORELLA PVC PLATES (3" PLATE SPACING)
10. OIL/WATER SEPARATOR CHAMBER
11. 6" THICK PETROSCREEN COALESCER MATERIAL INSTALLED W/ PULL ROD SHIPPED LOOSE
12. STEEL OUTLET DOWNCOMER
13. RECTANGULAR MANWAY
14. 4"Ø FNPT FOR OIL PUMP-OUT WITH INTERNAL PVC PIPE INSTALLED
15. 2"Ø FNPT FOR LEVEL SENSOR
16. LIFTING LUG
17. 2"Ø FNPT FOR VENT

ANCILLARY PROVIDED EQUIPMENT

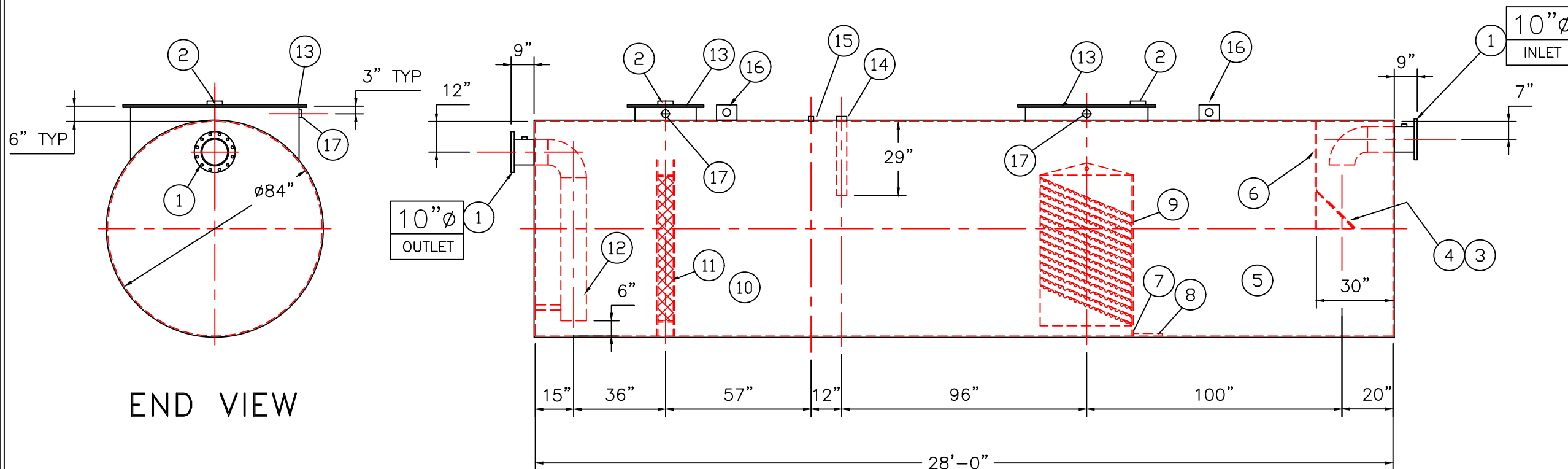
- (1) 48"x66" CLOSED CELL FOAM MANWAY GASKET
- (1) SET OF NUTS/BOLTS/WASHERS FOR 48"x66" MANWAY
- (1) 24"x66" CLOSED CELL FOAM MANWAY GASKET
- (1) SET OF NUTS/BOLTS/WASHERS FOR 24"x66" MANWAY

NOTES

1. ALL VENT PIPING BY INSTALLER



PLAN



ELEVATION

END VIEW

REVISIONS



Highland Tank

U.S. Patent #4,722,800 Canadian Patent # 1,296,263

8000 GALLON OIL WATER SEPARATOR
 HTC-EZ, ABOVEGROUND CYLINDRICAL,
 SINGLE WALL

CUSTOMER:

PROJECT:

QUOTE NO:

CHK'D BY:

UNLESS OTHERWISE SPECIFIED DIMENSIONS ARE IN INCHES
 TOLERANCES ARE + OR - 1"

SCALE:
 1/4" = 1'-0"

DATE:

DWG. BY:

DWG. NO.:

08000AGCYLSWHTCEZ

NOTE :
 ALL RIGHTS RESERVED. THIS DRAWING OR ANY PART THEREOF MUST NOT BE REPRODUCED IN ANY FORM WITHOUT THE WRITTEN PERMISSION OF HIGHLAND TANK.
 HIGHLAND TANK SHALL BE RESPONSIBLE ONLY FOR ITEMS INDICATED ON THIS FABRICATION DRAWING UNLESS OTHERWISE NOTED. CUSTOMER IS RESPONSIBLE FOR VERIFYING CORRECTNESS OF SIZE / LOCATION OF FITTINGS , ACCESSORIES & COATINGS SHOWN ON THIS DRAWING