

GENERAL SPECIFICATIONS

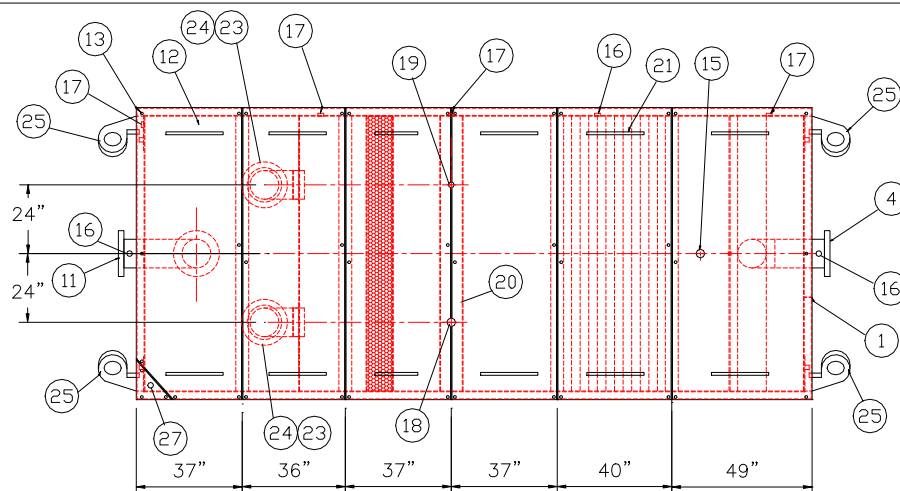
NO. REQ'D: (1)
 CAPACITY: 8000 GALLONS
 TYPE: RECTANGULAR, HTC, ABOVEGROUND, SINGLE WALL
 MATERIAL: MILD CARBON STEEL
 FLOW RATE: 800 GPM
 GAUGE:
 SHELL- 1/4"
 HEADS- 1/4"
 SURFACE PREP:
 SSPC NO.10 BLAST ALL INTERIOR SURFACES
 SSPC NO.6 BLAST ALL EXTERIOR SURFACES

COATING:	MATERIAL	THICKNESS
EXTERIOR-	CHEMPRIME 3001	(3-6 MILS)
	CHEMLINE 3300 TOP COAT "WHITE"	(2-3 MILS)
INTERIOR-	CHEMLINE 4200 PW	(15 MILS)

CONSTRUCTION:
 BUTT FIT & WELD ALL CORNERS IN & OUT

NOTES

- ALL INTERNAL MATERIAL IS 10 GA
- ALL THREADED DRAIN FITTINGS TO HAVE STEEL THREADED PLUGS AND COATED WITH TANK
- ALL OTHER THREADED FITTINGS TO HAVE PVC THREADED PLUGS
- LIFTING LUGS HAVE REINFORCING PLATES

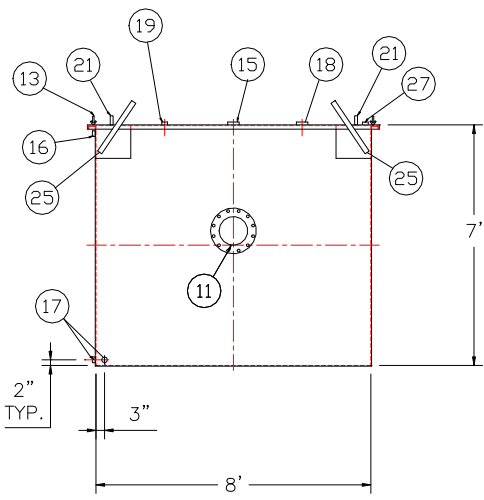


REMOVABLE COVERS (6) REQUIRED

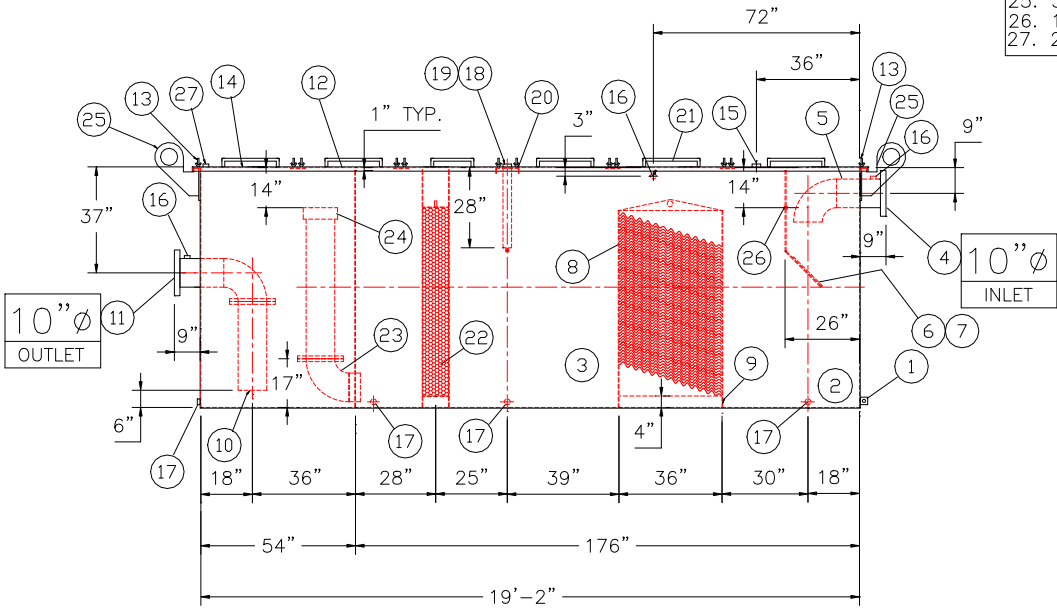
PLAN VIEW

PROVIDED EQUIPMENT

- 3"X3"X1/4" FLAT W/ 9/16"Ø HOLE DRILLED IN CENTER (GROUNDING LUG)
- SEDIMENT CHAMBER
- OIL WATER SEPARATOR CHAMBER
- 150# RFSO FLANGED INLET
- STEEL INLET ELBOW PIPING
- VELOCITY HEAD DIFFUSION BAFFLE - 10GA
- WEAR PLATE - 1/4"
- REMOVABLE PARALLEL CORRUGATED PLATE COALESCER. CORELLA PVC PLATES (1" PLATE SPACING)
- SLUDGE BAFFLE - 10GA
- FLANGED PVC OUTLET DOWNCOMER PIPE
- 150# RFSO FLANGED OUTLET W/ INTERNAL STEEL ELBOW AND FLANGE
- (6) PIECE COVER W/ 5/8" BOLT HOLES - 7 GA
- NUTS & BOLTS W/ LARGE WING NUTS-TYP. (CORROSION RESISTANT)
- GASKET MATERIAL (FOR EACH REMOVABLE COVER)
- 3"Ø FNPT (CLEAN-OUT)
- 2"Ø FNPT (VENT)
- 2"Ø FNPT HALF COUPLING (DRAIN) W/ STEEL PLUG
- 3"Ø FNPT FULL COUPLING W/ 3" Ø INTERNAL PVC PIPE (OIL PUMPOUT)
- 2"Ø FNPT HALF COUPLING (INTERFACE LEVEL SENSOR)
- 7GA. CROSSMEMBER 9" WIDE FOR OIL PUMP-OUT AND LEVEL SENSOR FTGS.
- HANDLES PER H.T. STANDARD
- 6" THICK REMOVABLE PETROSCREEN CARTRIDGE COALESCER
- 10"Ø STEEL ELBOW W/ FLANGE WELDED TO TOP FOR PVC RISER PIPES
- 10"Ø ADJUSTABLE FERNCO COUPLING
- 3/4" THICK LIFTING LUG ANGLED TOWARD CENTER
- 1"Ø FNPT COUPLING W/ PLUG
- 2"Ø FNPT HALF COUPLING (SPARE)



END VIEW



ELEVATION

NOTE :
 ALL RIGHTS RESERVED. THIS DRAWING OR ANY PART THEREOF MUST NOT BE REPRODUCED IN ANY FORM WITHOUT THE WRITTEN PERMISSION OF HIGHLAND TANK.
 HIGHLAND TANK SHALL BE RESPONSIBLE ONLY FOR ITEMS INDICATED ON THIS FABRICATION DRAWING UNLESS OTHERWISE NOTED. CUSTOMER IS RESPONSIBLE FOR VERIFYING CORRECTNESS OF SIZE / LOCATION OF FITTINGS , ACCESSORIES & COATINGS SHOWN ON THIS DRAWING

UNLESS OTHERWISE SPECIFIED DIMENSIONS ARE IN INCHES TOLERANCES ARE + OR - 1"
 SCALE: 1/4"=1'-0" DATE: DWG. BY: DWG. NO.: 08000RECSWHTC

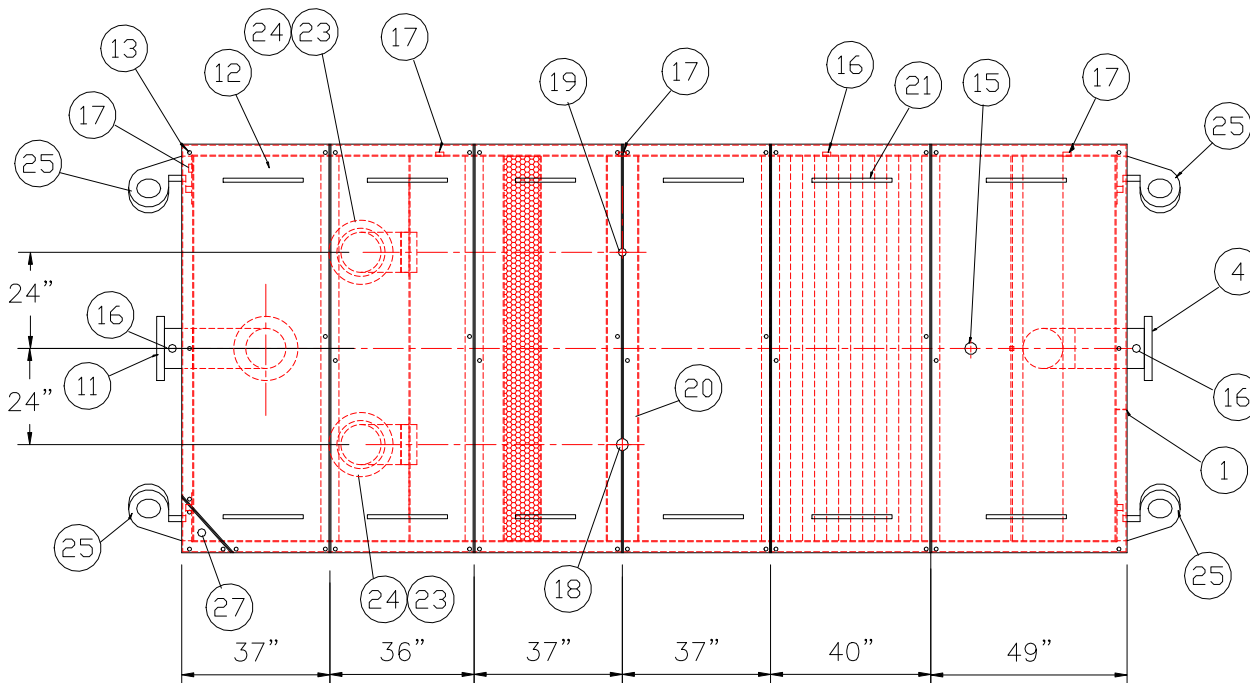
REVISIONS	
 <h1 style="margin: 0;">Highland Tank</h1>	
U.S. Patent #4,722,800 Canadian Patent # 1,296,263	
8000 GALLON OIL WATER SEPARATOR RECTANGULAR, HTC, SINGLE WALL	
CUSTOMER:	
PROJECT:	
QUOTE NO:	CHK'D BY:
08000RECSWHTC	

GENERAL SPECIFICATIONS

NO. REQ'D: (1)
 CAPACITY: 8000 GALLONS
 TYPE: RECTANGULAR, HTC, ABOVEGROUND, SINGLE WALL
 MATERIAL: MILD CARBON STEEL
 FLOW RATE: 800 GPM
 GAUGE:
 SHELL- 1/4"
 HEADS- 1/4"
 SURFACE PREP:
 SSPC NO.10 BLAST ALL INTERIOR SURFACES
 SSPC NO.6 BLAST ALL EXTERIOR SURFACES
 COATING: MATERIAL THICKNESS
 EXTERIOR- CHEMPRIME 3001 (3-6 MILS)
 CHEMLINE 3300 (2-3 MILS)
 TOP COAT "WHITE"
 INTERIOR- CHEMLINE 4200 PW (15 MILS)
 CONSTRUCTION:
 BUTT FIT & WELD ALL CORNERS IN & OUT

NOTES

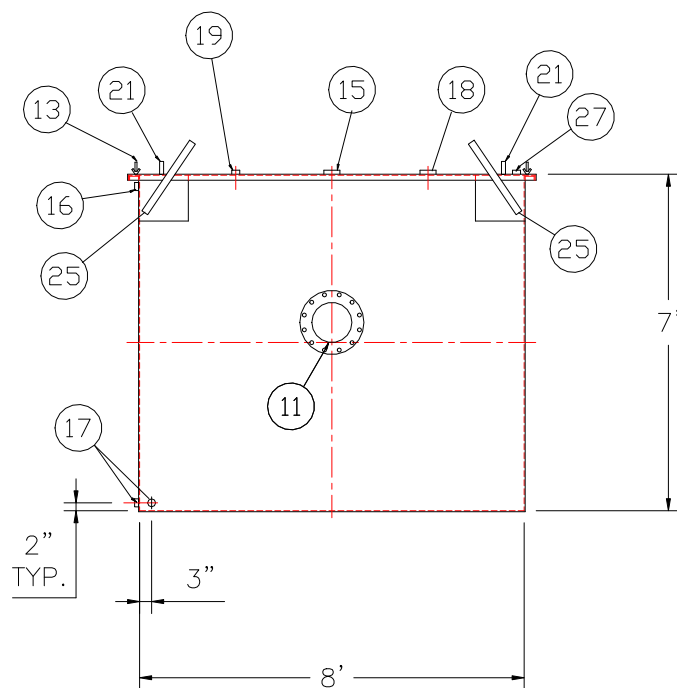
- ALL INTERNAL MATERIAL IS 10 GA
- ALL THREADED DRAIN FITTINGS TO HAVE STEEL THREADED PLUGS AND COATED WITH TANK
- ALL OTHER THREADED FITTINGS TO HAVE PVC THREADED PLUGS
- LIFTING LUGS HAVE REINFORCING PLATES



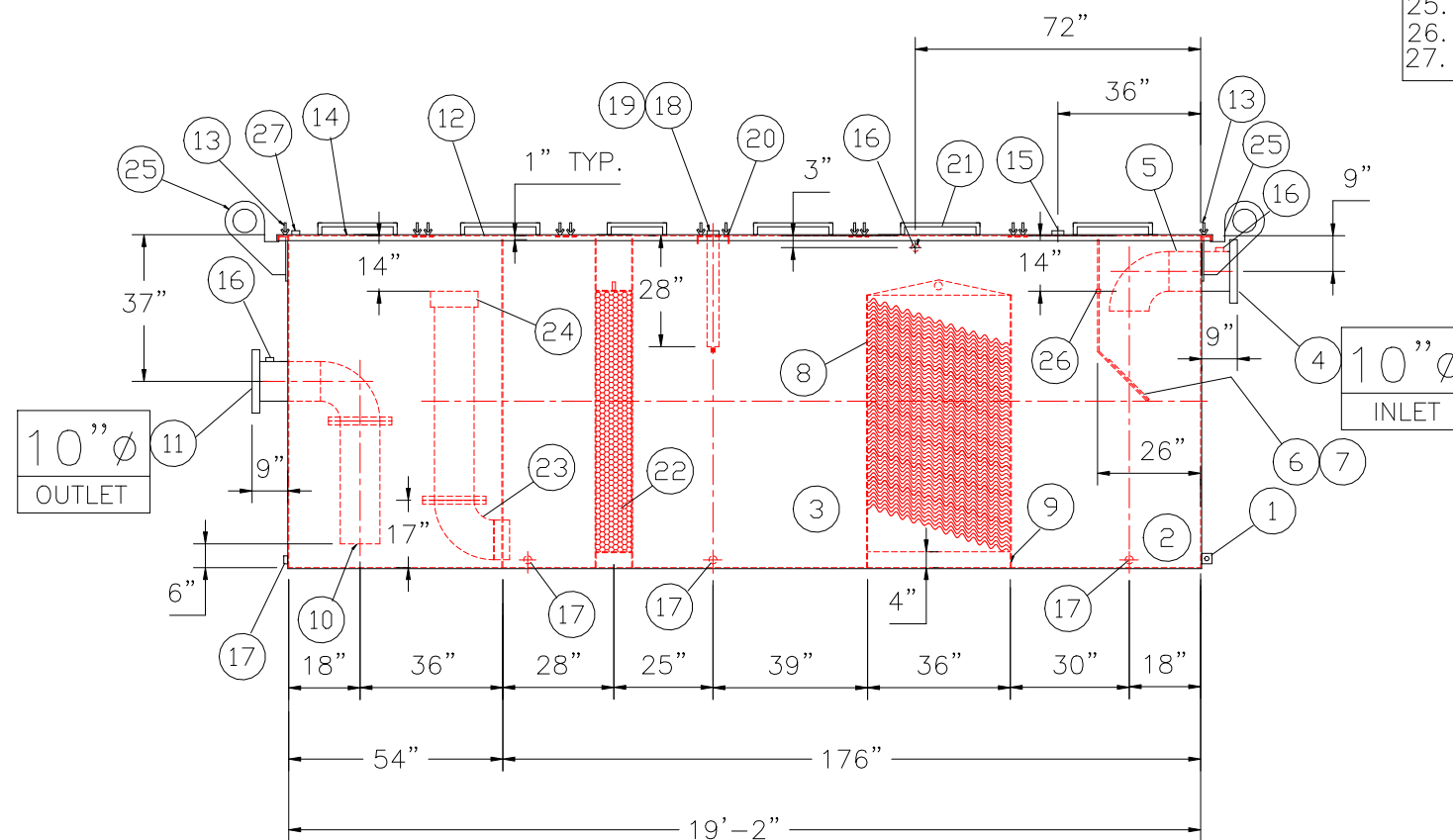
PLAN VIEW

PROVIDED EQUIPMENT

- 3"x3"x1/4" FLAT W/ 9/16"Ø HOLE DRILLED IN CENTER (GROUNDING LUG)
- SEDIMENT CHAMBER
- OIL WATER SEPARATOR CHAMBER
- 150# RFSO FLANGED INLET
- STEEL INLET ELBOW PIPING
- VELOCITY HEAD DIFFUSION BAFFLE - 10GA
- WEAR PLATE - 1/4"
- REMOVABLE PARALLEL CORRUGATED PLATE COALESCER. CORELLA PVC PLATES (1" PLATE SPACING)
- SLUDGE BAFFLE - 10GA
- FLANGED PVC OUTLET DOWNCOMER PIPE
- 150# RFSO FLANGED OUTLET W/ INTERNAL STEEL ELBOW AND FLANGE
- (6) PIECE COVER W/ 5/8" BOLT HOLES - 7 GA
- NUTS & BOLTS W/ LARGE WING NUTS-TYP. (CORROSION RESISTANT)
- GASKET MATERIAL (FOR EACH REMOVABLE COVER)
- 3"Ø FNPT (CLEAN-OUT)
- 2"Ø FNPT (VENT)
- 2"Ø FNPT HALF COUPLING (DRAIN) W/ STEEL PLUG
- 3"Ø FNPT FULL COUPLING W/ 3" Ø INTERNAL PVC PIPE (OIL PUMPOUT)
- 2"Ø FNPT HALF COUPLING (INTERFACE LEVEL SENSOR)
- 7GA. CROSSMEMBER 9" WIDE FOR OIL PUMP-OUT AND LEVEL SENSOR FTGS.
- HANDLES PER H.T. STANDARD
- 6" THICK REMOVABLE PETROSCREEN CARTRIDGE COALESCER
- 10"Ø STEEL ELBOW W/ FLANGE WELDED TO TOP FOR PVC RISER PIPES
- 10"Ø ADJUSTABLE FERNCO COUPLING
- 3/4" THICK LIFTING LUG ANGLED TOWARD CENTER
- 1"Ø FNPT COUPLING W/ PLUG
- 2"Ø FNPT HALF COUPLING (SPARE)



END VIEW



ELEVATION

NOTE:
 ALL RIGHTS RESERVED. THIS DRAWING OR ANY PART THEREOF MUST NOT BE REPRODUCED IN ANY FORM WITHOUT THE WRITTEN PERMISSION OF HIGHLAND TANK.
 HIGHLAND TANK SHALL BE RESPONSIBLE ONLY FOR ITEMS INDICATED ON THIS FABRICATION DRAWING UNLESS OTHERWISE NOTED. CUSTOMER IS RESPONSIBLE FOR VERIFYING CORRECTNESS OF SIZE / LOCATION OF FITTINGS, ACCESSORIES & COATINGS SHOWN ON THIS DRAWING

UNLESS OTHERWISE SPECIFIED DIMENSIONS ARE IN INCHES
 TOLERANCES ARE + OR - 1"

REVISIONS			
		<h1>Highland Tank</h1>	
U.S. Patent #4,722,800 Canadian Patent # 1,296,263		8000 GALLON OIL WATER SEPARATOR RECTANGULAR, HTC, SINGLE WALL	
CUSTOMER:			
PROJECT:			
QUOTE NO:			CHK'D BY:
SCALE: 1/4"=1'-0"	DATE:	DWG. BY:	DWG. NO.: 08000RECSWHTC