

NOTE: ALL RIGHTS RESERVED. THIS DRAWING MUST NOT BE REPRODUCED IN ANY FORM WITHOUT THE WRITTEN PERMISSION OF HIGHLAND TANK®. HIGHLAND TANK® SHALL BE RESPONSIBLE ONLY FOR ITEMS INDICATED ON THIS FABRICATION DRAWING UNLESS OTHERWISE NOTED. CUSTOMER IS RESPONSIBLE FOR VERIFYING CORRECTNESS OF SIZE AND LOCATION OF FITTINGS, ACCESSORIES, AND COATINGS SHOWN ON THIS DRAWING.

TOUCH UP OF FINISHED PAINT IS REQUIRED BY INSTALLATION CONTRACTOR. TOUCH UP PAINT SHIPPED WITH TANK.

SHIPPING LUGS AS NEEDED

LEGEND

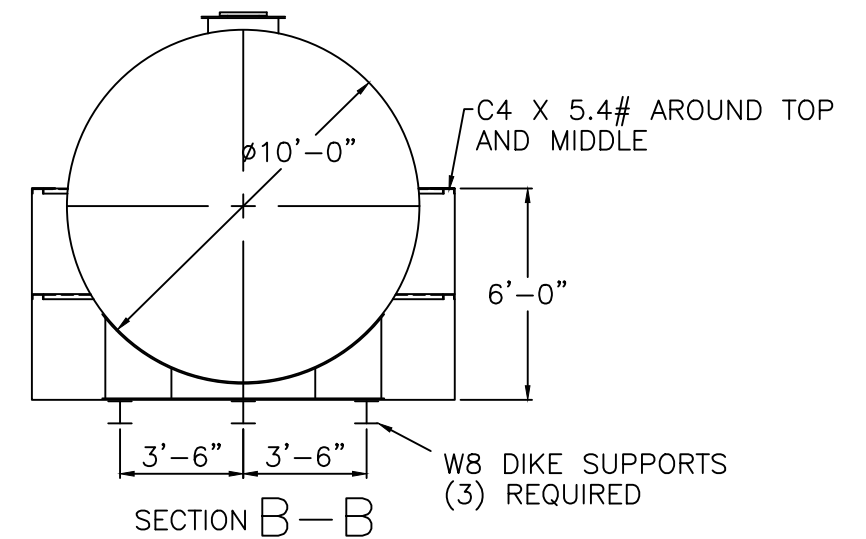
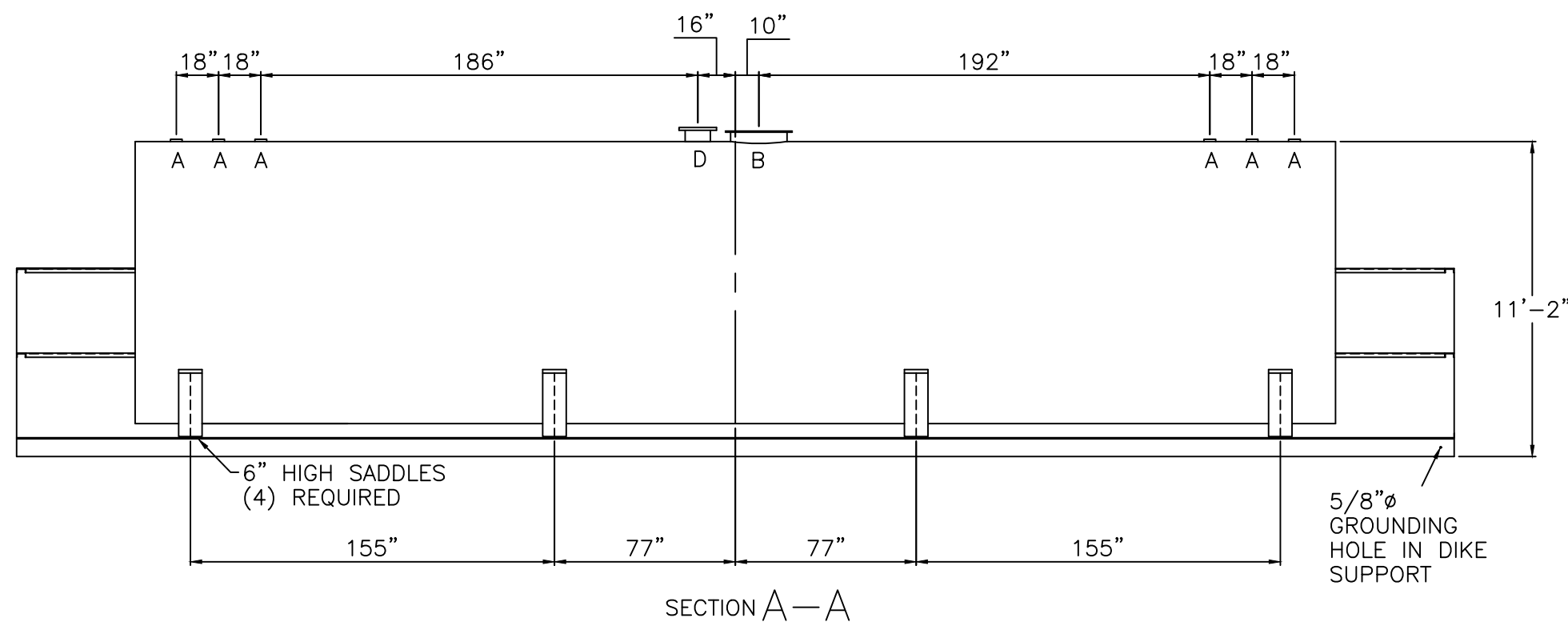
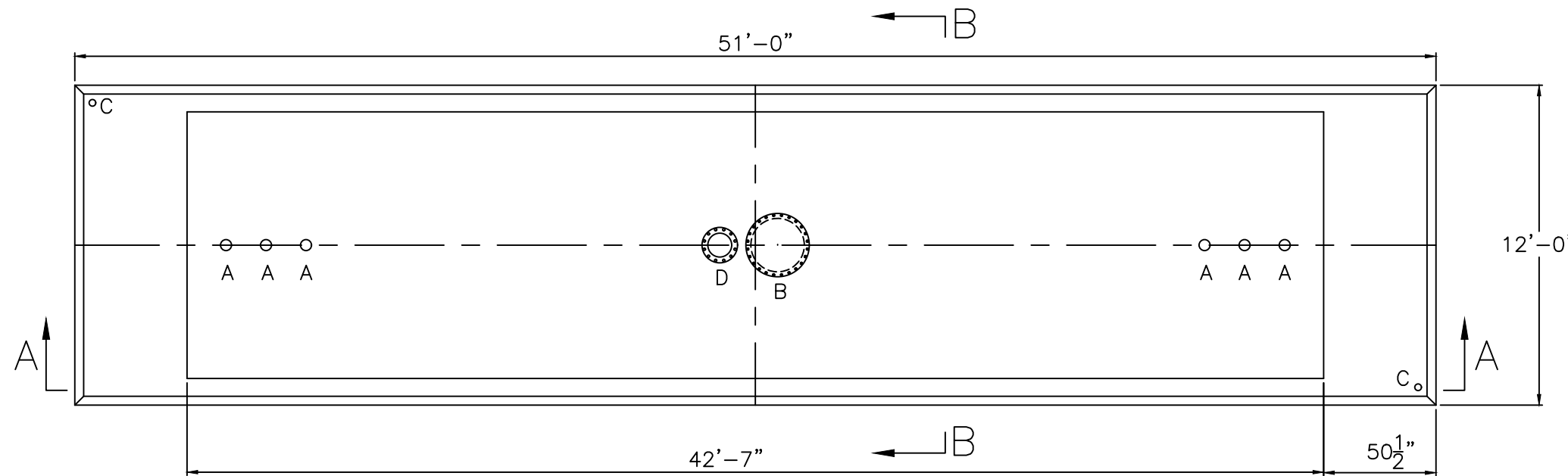
A	4" FITTING
B	24"Ø TIGHT BOLT MANWAY w/ 1/8" FIBREFLEX GASKET
C	2" FITTING IN DIKE FLOOR - DRAIN
D	10" 150# FFSO FLANGE - PRIMARY EMERGENCY VENT USE

TANK DESIGN DATA

CAPACITY - 25,000 GALLONS
TYPE - ABOVEGROUND HORIZONTAL WITH 110% DIKE
NO. REQ. - -
OPERATING PRESSURE - ATMOSPHERIC
SPECIFIC GRAVITY = 1.0
TANK MATERIAL - MILD CARBON STEEL
THICKNESS - HEADS - 5/16"
THICKNESS - SHELL - 1/4"
CONSTRUCTION - LAP WELD OUTSIDE ONLY
TANK TEST - 5 PSIG
INT. FINISH - NONE
EXT. FINISH - SHOP PRIMER
LABEL - UL 142

DIKE DESIGN DATA

CAPACITY - 27,500 GALLONS
TANK MATERIAL - MILD CARBON STEEL
THICKNESS - ALL - 1/4"
CONSTRUCTION - WELDED
FINISH - ALL - SAME AS TANK EXTERIOR



UNLESS NOTED, TOLERANCES ARE +/- 1"

25,000 GAL 120"Ø DIKE TANK

CUSTOMER:	
PROJECT:	
QUOTE NO:	CHK'D BY:
SCALE: 3/16" = 12"	DATE:
DWG. BY:	DWG. NO: 25000DK120

