

GENERAL SPECIFICATIONS

NO. REQ'D: (1)
 CAPACITY: 25,000 GALLONS
 TYPE: HT, HIGHGUARD, SINGLE WALL, "J" SERIES
 MATERIAL: MILD CARBON STEEL
 FLOW RATE: 2500 GPM

GUAGE:
 SHELL- 3/8"
 HEADS- 1/4"

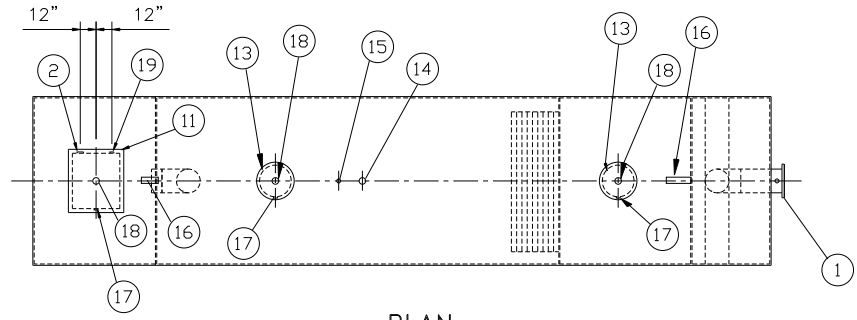
SURFACE PREP:
 - SSPC NO.6 BLAST ALL EXTERIOR SURFACES
 - SSPC NO.10 BLAST ALL INTERIOR SURFACES OF WATER CHAMBER ONLY

COATING:

	MATERIAL	THICKNESS
EXTERIOR-	HIGHGUARD	(75 MILS)
INTERIOR-	POLYURETHANE	(15 MILS)
	INTERIOR OF WATER CHAMBER ONLY	

CONSTRUCTION : LAP FIT AND WELD ALL EXTERIOR SEAMS
OPERATING PRESSURE: ATMOSPHERIC

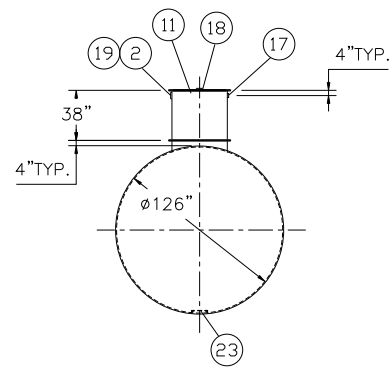
NOTES:
 1. POLYURETHANE HIGHGUARD TANK IS NOT APPROVED FOR THE STORAGE OF HEATED PRODUCTS
 2. CUSTOMER TO PROVIDE PUMPING INFORMATION FOR PROPER PUMP SIZING & PUMPOUT DESIGN.
 3. 15000 VOLT SPARK TEST PROVIDED AT FACTORY
 4. ALL VENT PIPING BY INSTALLER



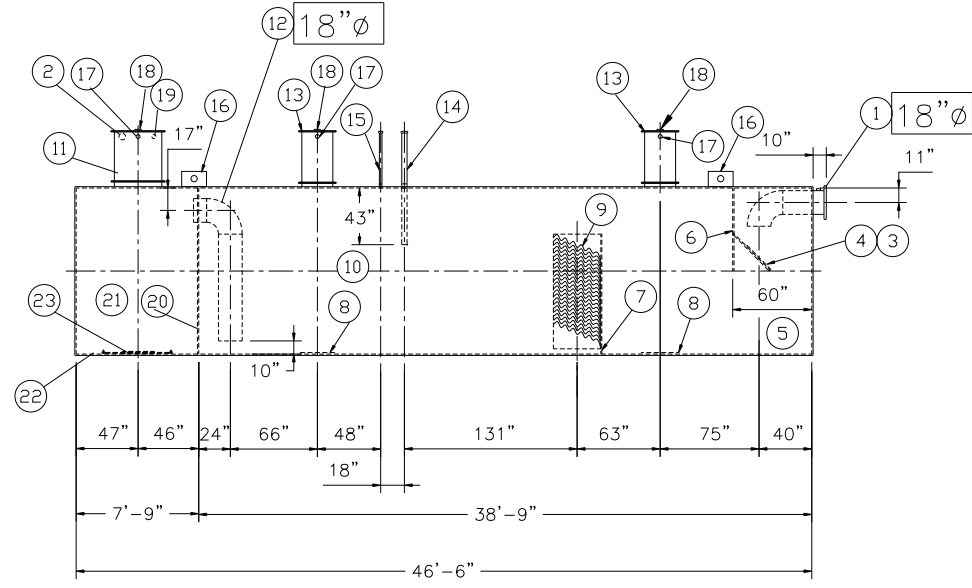
PLAN

PROVIDED EQUIPMENT

1. 150# R.F.S.O. FLANGE W/ 2" NPT FOR VENT
2. 4"Ø FTG. FOR PUMP CONDUIT
3. VELOCITY HEAD DIFFUSION BAFFLE
4. WEAR PLATE
5. SEDIMENT CHAMBER
6. UNDERFLOW BAFFLE
7. SLUDGE BAFFLE
8. STRIKER PLATES
9. PARALLEL CORRUGATED PLATE COALESCER
10. OIL/WATER SEPARATOR CHAMBER
11. RECTANGULAR MANWAY W/ BOLT-ON EXTENSION SHIPPED LOOSE
12. OUTLET DOWNCOMER
13. 24"Ø MANWAY WITH BOLT-ON EXTENSION SHIPPED LOOSE
14. 4"Ø FTG. FOR OIL PUMP-OUT WITH INTERNAL PIPE INSTALLED & RISER PIPE SHIPPED LOOSE
15. 2"Ø FTG. FOR LEVEL SENSOR WITH RISER PIPE SHIPPED LOOSE
16. LIFTING LUG
17. 2"Ø FTG. FOR VENT
18. 4"Ø FTG. FOR GAUGE WITH PLUG
19. 2"Ø FTG. FOR EFFLUENT WATER CHAMBER LEVEL SENSOR
20. 1/4" BULKHEAD
21. EFFLUENT WATER CHAMBER
22. INTERNAL RIBBON ANODE
23. PUMP MOUNT



END VIEW



ELEVATION

NOTE :
 ALL RIGHTS RESERVED. THIS DRAWING OR ANY PART THERE OF MUST NOT BE REPRODUCED IN ANY FORM WITH OUT THE WRITTEN PERMISSION OF HIGHLAND TANK.
 HIGHLAND TANK SHALL BE RESPONSIBLE ONLY FOR ITEMS INDICATED ON THIS FABRICATION DRAWING UNLESS OTHERWISE NOTED. CUSTOMER IS RESPONSIBLE FOR VERIFYING CORRECTNESS OF SIZE / LOCATION OF FITTINGS , ACCESSORIES & COATINGS SHOWN ON THIS DRAWING

REVISIONS	
 Highland Tank U.S. Patent #4,722,800 Canadian Patent # 1,296,263 #6,606,224 # 2,389,065	
25000 GALLON OIL WATER SEPARATOR HT,HIGHGUARD,SINGLE WALL,"J" SERIES	
CUSTOMER:	
PROJECT:	
QUOTE NO:	CHK'D BY:
SCALE: 1/8"=1'-0"	DATE: 8-9-05
DWG. BY:	DWG. NO.: 25000HGSWHTJ