

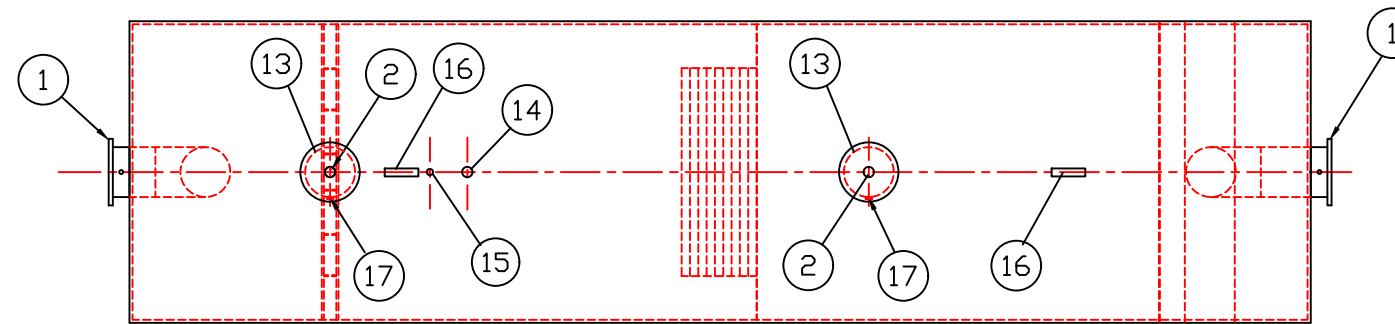
GENERAL SPECIFICATIONS

NO. REQ'D: (1)
 CAPACITY: 40000 GALLONS
 TYPE: HTC, ABOVEGROUND CYLINDRICAL, SINGLE WALL
 MATERIAL: MILD CARBON STEEL
 FLOW RATE: 4000 GPM
 GAUGE: BASED ON 60" MAX BURIAL
 SHELL- 3/8"
 HEADS- 3/8"

SURFACE PREP:
 SSPC NO.6 BLAST ALL EXTERIOR SURFACES
 SSPC NO.10 BLAST ALL INTERIOR SURFACES

COATING:	MATERIAL	THICKNESS
EXTERIOR-	CHEMPRIME 3001	(3-6 MILS)
	CHEMTHANE 3300	(2-3 MILS)
	TOP COAT "WHITE"	
INTERIOR-	CHEMLINE 4200 PW	(15 MILS)

CONSTRUCTION :
 LAP FIT & WELD ALL EXTERIOR SEAMS
OPERATING PRESSURE : ATMOSPHERIC



PLAN

PROVIDED EQUIPMENT

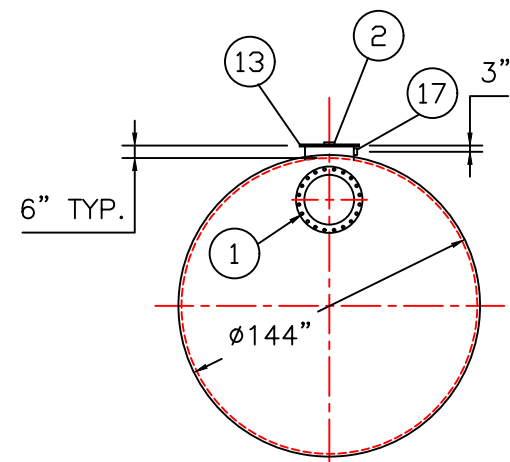
- 150# R.F.S.O. FLANGE W/ 2" FNPT FOR VENT
- 4"Ø FNPT FOR GAUGE WITH PLUG
- VELOCITY HEAD DIFFUSION BAFFLE
- WEAR PLATE
- SEDIMENT CHAMBER
- UNDERFLOW BAFFLE
- SLUDGE BAFFLE
- STRIKER PLATES
- PARALLEL CORRUGATED PLATE COALESCER. CORELLA PVC PLATES (3" PLATE SPACING)
- OIL/WATER SEPARATOR CHAMBER
- 6" THICK PETROSCREEN COALESCER MATERIAL INSTALLED W/ PULL ROD SHIPPED LOOSE
- STEEL OUTLET DOWNCOMER
- 24"Ø MANWAY
- 4"Ø FNPT FOR OIL PUMP-OUT WITH INTERNAL PVC PIPE INSTALLED
- 2"Ø FNPT FOR LEVEL SENSOR
- LIFTING LUG
- 2"Ø FNPT FOR VENT

ANCILLARY PROVIDED EQUIPMENT

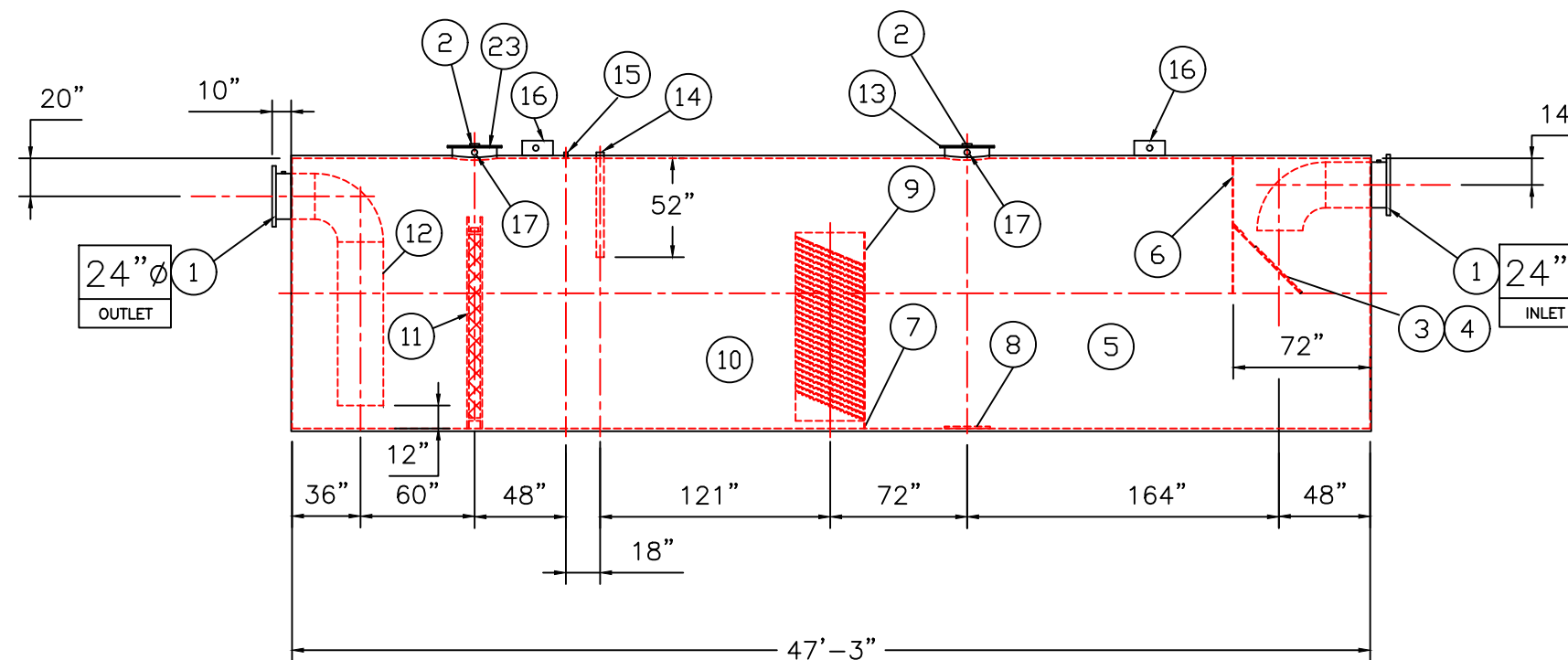
- (2) 24" FIBREFLEX MANWAY GASKETS
- (2) SETS OF NUTS/BOLTS/WASHERS FOR 24" MANWAY

NOTES


1. ALL VENT PIPING BY INSTALLER



END VIEW



ELEVATION

REVISIONS			
		<h1>Highland Tank</h1>	
U.S. Patent #4,722,800 Canadian Patent # 1,296,263		40000 GALLON OIL WATER SEPARATOR HTC, ABOVEGROUND CYLINDRICAL, SINGLE WALL	
CUSTOMER:			
PROJECT:			
QUOTE NO:			CHK'D BY:
UNLESS OTHERWISE SPECIFIED DIMENSIONS ARE IN INCHES TOLERANCES ARE + OR - 1"		SCALE: 1/8" = 1'-0"	DATE:
		DWG. BY:	DWG. NO.:
		40000AGCYLSWHTC	

NOTE :
 ALL RIGHTS RESERVED. THIS DRAWING OR ANY PART THEREOF MUST NOT BE REPRODUCED IN ANY FORM WITHOUT THE WRITTEN PERMISSION OF HIGHLAND TANK.
 HIGHLAND TANK SHALL BE RESPONSIBLE ONLY FOR ITEMS INDICATED ON THIS FABRICATION DRAWING UNLESS OTHERWISE NOTED. CUSTOMER IS RESPONSIBLE FOR VERIFYING CORRECTNESS OF SIZE / LOCATION OF FITTINGS , ACCESSORIES & COATINGS SHOWN ON THIS DRAWING