

**Built on Tradition**



**Highland Tank®**



## **Field Adjustable Manway Risers**

HT-1108

Field Adjustable Manway Risers are available for use on many underground tank installations. Available in 24" diameter, these manway risers can be adjusted in the field for an exact fit by arranging and assembling the 6" and 12" tall parts to meet your elevation needs.

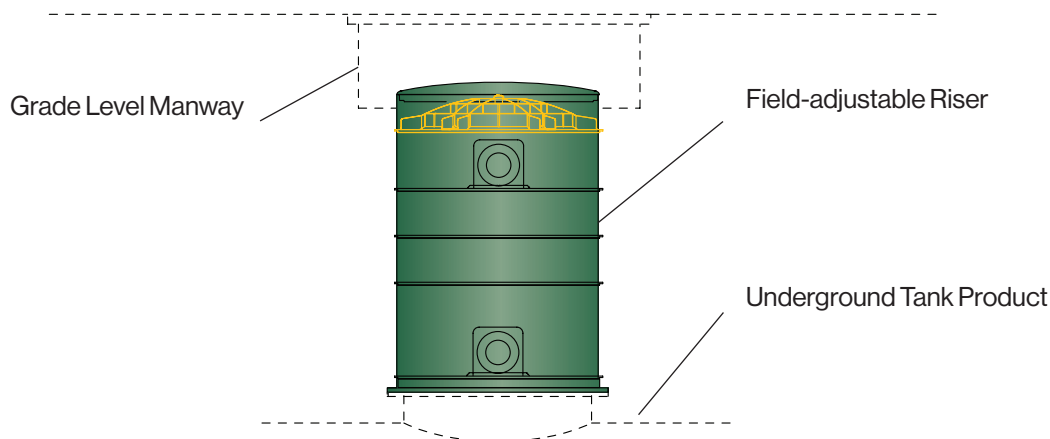
These water and air tight manway risers are fabricated using high-density polyethylene which won't shatter. The risers come with factory-installed gaskets in riser sections and covers. Each section has structural ribs on the inside surface and a flush fit outer surface to help prevent frost infiltration. Tall riser sections are configured to accept 2", 3" and 4" piping.

A lockable cover and safety screen are included to cap off the riser assembly. In addition, risers come complete with a manway adapter, retainer ring and neoprene gasket for secure attachment to your tank.

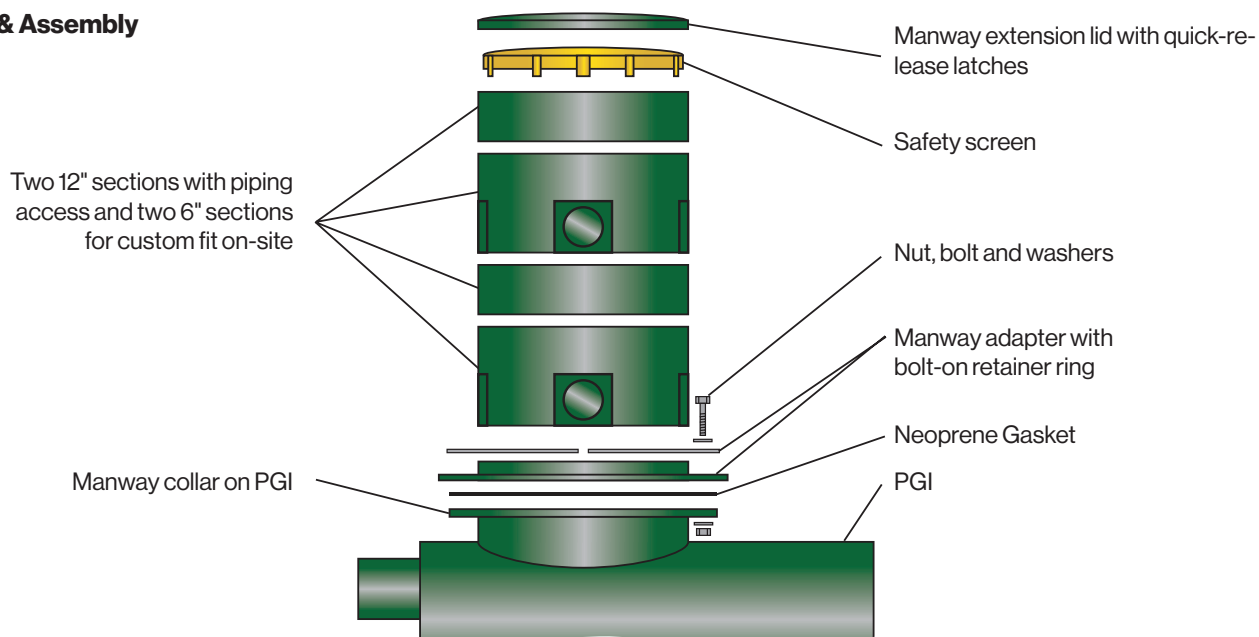
# Riser Components and Assembly

Some tank installations require manway extensions to provide access from grade level. Highland Tank supplies field-adjustable, high-density polyethylene risers that bolt onto the tank's manway collars and employ gaskets to provide a seal between components.

## Typical Installation



## Components & Assembly



# Highland Tank®



### Stoystown, PA

One Highland Rd.  
Stoystown, PA 15563  
(814) 893-5701

### Manheim, PA

4535 Elizabethtown Rd.  
Manheim, PA 17545  
(717) 664-0600

### Watervliet, NY

958 19th St.  
Watervliet, NY 12189  
(518) 273-0801

### Greensboro, NC

2700 Patterson St.  
Greensboro, NC 27407  
(336) 218-0801

### Friedens, PA

1510 Stoystown Rd.  
Friedens, PA 15541  
(814) 443-6800

### Clarkston, MI

4701 White Lake Rd.  
Clarkston, MI 48346  
(248) 625-8700

### Mancelona, MI

9517 Lake St.  
Mancelona, MI 49659  
(231) 587-8412