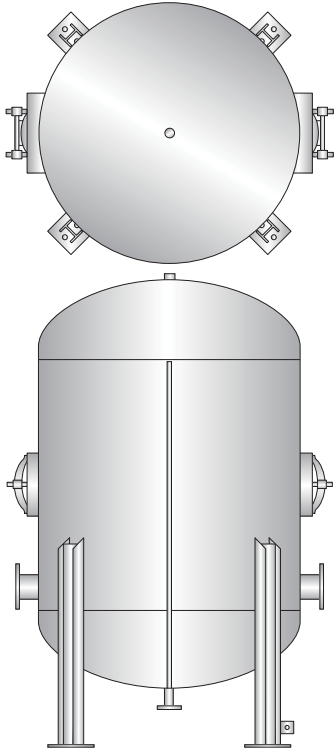


HighDRO[®]

Buffer Tank - Design Information

Vertical



Design: Vertical / Horizontal ASME Pressure Vessel

Quantity: _____

Water Service: **HOT** **COLD**

Orientation: **Vertical** **Horizontal**

Vessel Volume: _____ Gallons

Diameter: _____

Length / Height - Straight Shell: _____ Overall: _____

Design Pressure: _____ PSIG

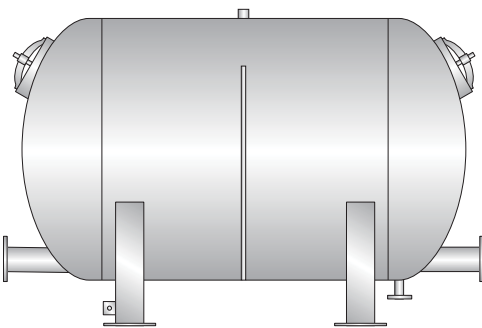
Design Temperature: _____ °F

Inlet/Outlet Piping Size: _____"

Insulation Requirements: _____

Cooling / Heating Medium: _____

Horizontal



Customer Information:

Contact: _____

Company Name: _____

Address: _____

City - State - ZIP: _____

Phone: (_____) _____ - _____

Email: _____

Highland Representative: _____

Phone: (_____) _____ - _____

Email: _____

Note that buffer tanks are manufactured to customer specifications. Highland Tank does not provide or imply sizing of these units for a particular installation.

All tank fabrications to be strict accordance with ASME Section VIII, Division 1, latest edition.

NOTE: ALL RIGHTS RESERVED. This form MUST NOT be reproduced without the written permission of Highland Tank.