

Built on Tradition



Highland Tank®



Flat Strainer Baskets

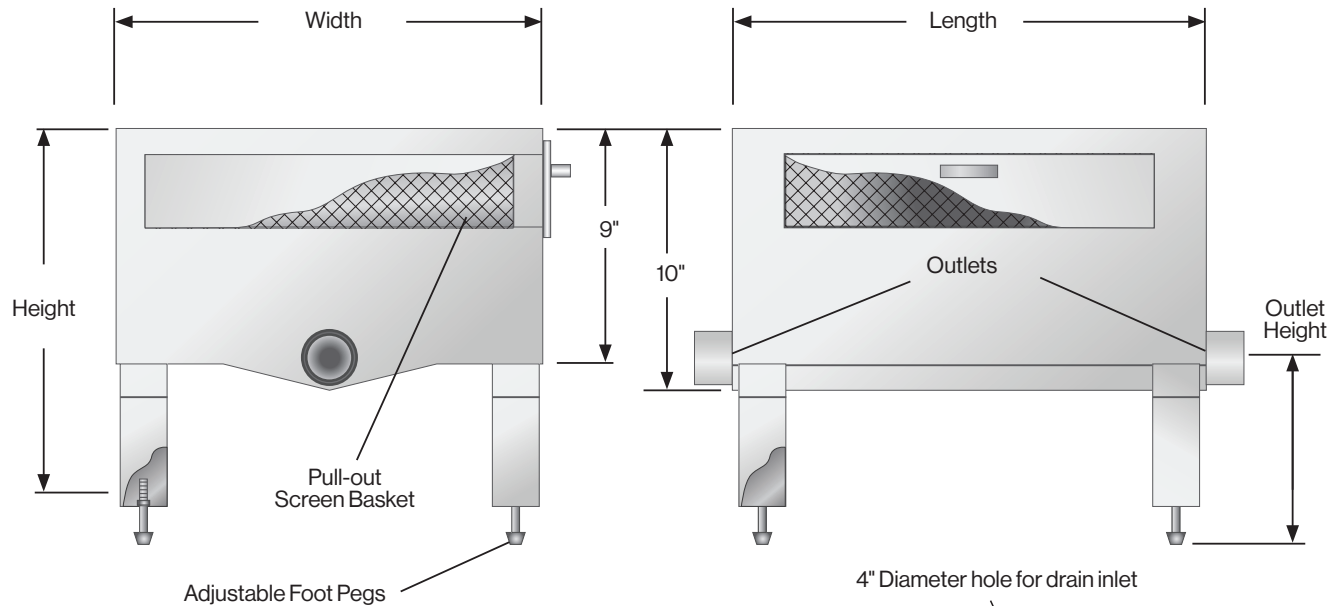
HT-2818

Flat Strainer Baskets (FSB) are designed to reduce the amount of coarse and fine solids discharged from a Food Service Establishment. FSB can be used for both kitchen retrofits and new construction. They are usually installed under the dishwasher pre-rinse sink where dirty dishes are pre-rinsed. Our flexible design allows for connection to any sinks with over 4" of height adjustment.

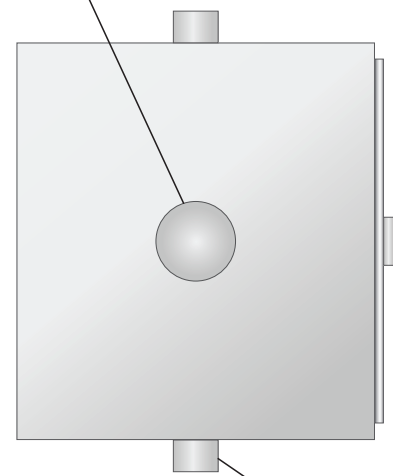
The removable strainer tray dewateres solids for easy disposal as garbage or compost. The unit has a see-through plexiglass cover for easy maintenance. Left or right outlet ports and stainless steel legs with adjustable foot pegs for leveling make installation easy. FSB are available in two popular sizes and can be customized to meet your specific needs.

Economical & Effective Pretreatment

Drawing & Details



4" Diameter hole for drain inlet



2" NPT Fittings for Outlet

Model Capacity	Length	Nominal Dimensions	
		Width	Height
FSB - 1	18"	20"	17.25"
FSB - 2	12"	16"	17.25"

Advantages

- Removes nearly 100% of the solid food waste from FSE drains
- Constructed of durable stainless steel and other corrosion resistant materials
- Easily accessible for maintenance and cleaning
- Saves money on water & electricity
- Eliminates costs of cleaning pipes and/or holding tanks
- Helps keep the grease interceptor clean and minimizes pumpout frequency
- Available in many standard sizes – custom manufacturing is also available



Highland Tank®



Stoystown, PA

One Highland Rd.
Stoystown, PA 15563
(814) 893-5701

Manheim, PA

4535 Elizabethtown Rd.
Manheim, PA 17545
(717) 664-0600

Watervliet, NY

958 19th St.
Watervliet, NY 12189
(518) 273-0801

Greensboro, NC

2700 Patterson St.
Greensboro, NC 27407
(336) 218-0801

Friedens, PA

1510 Stoystown Rd.
Friedens, PA 15541
(814) 443-6800

Clarkston, MI

4701 White Lake Rd.
Clarkston, MI 48346
(248) 625-8700

Mancelona, MI

9517 Lake St.
Mancelona, MI 49659
(231) 587-8412