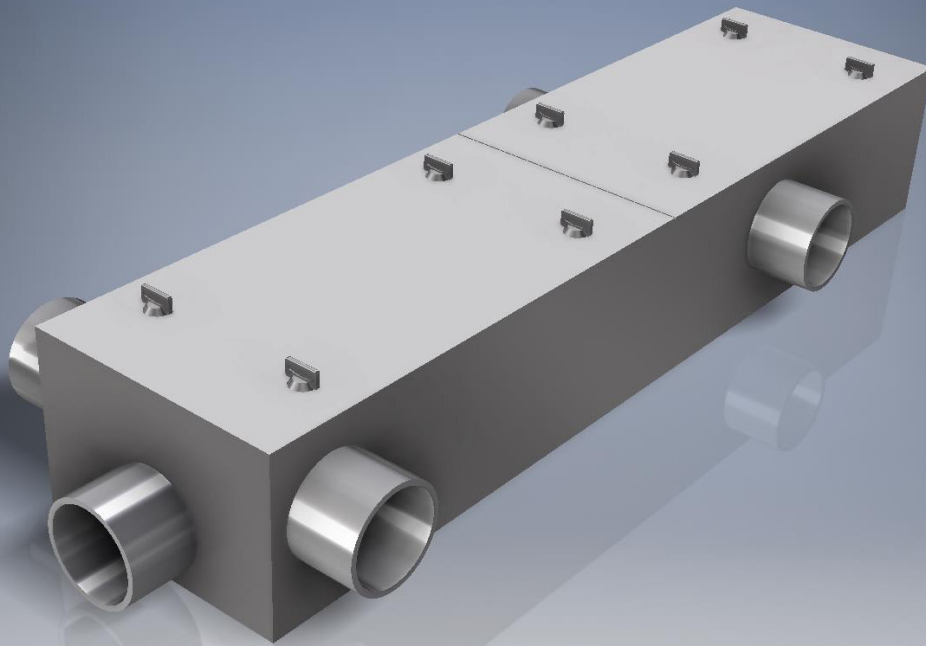


Built on Tradition



Highland Tank®



Modular Lint Interceptor

HT-2820

Highland Tank lint interceptors are installed on drain lines of industrial washing machines. They are designed to trap large quantities of sewer clogging lint and other solids often associated with commercial laundries.

Highland Tank lint interceptors are constructed of stainless steel. These modular systems can be connected together in a series for more capacity.

**Simple Design,
Quality Construction
& Easy Operation**

The lint interceptor units are easy to install and easy to clean. Highland Tank lint interceptors are available for on floor or flush-in-floor installations with bolt on or hinged deck plate covers for ease of inspection and maintenance. Optional H-20 covers available upon request.

Some applications for the lint interceptor:

- Hotels
- Prisons
- Laundromats
- Hospitals
- Universities