



## Oil/Sand Interceptors

HT-2509

Highland Tank's Oil/Sand Interceptor (OSI) is a wastewater treatment tank designed to intercept and collect sand, grit, free-oil and grease (hydrocarbons and other petroleum products) and prevent their entry into the sanitary sewer system. Designed to accept gravity flow, the interceptor's large volume allows for a lengthy retention time for sand, grit, free oil and grease to separate from the water due to their differences in specific gravity.

The interceptor contains one to four compartments (basins) where oil separates and floats to the surface, while sand and grit settle to the bottom sludge baffle. The clearer water beneath flows downward to the outlet downcomer where it is discharged from the quiescent section of the interceptor. OSI sizing and construction conforms to recognized plumbing codes and meets or exceeds many municipal industrial sewer pretreatment regulations.

They are available in double-wall construction for those states and counties where underground oil/water separators and interceptors are considered to be "commercial underground storage tanks."

These lighter-than-concrete interceptors can be sized for greater volumes and retention time. Unlike many competitive concrete units, they are watertight and pressure or vacuum testable in both the factory and the field.

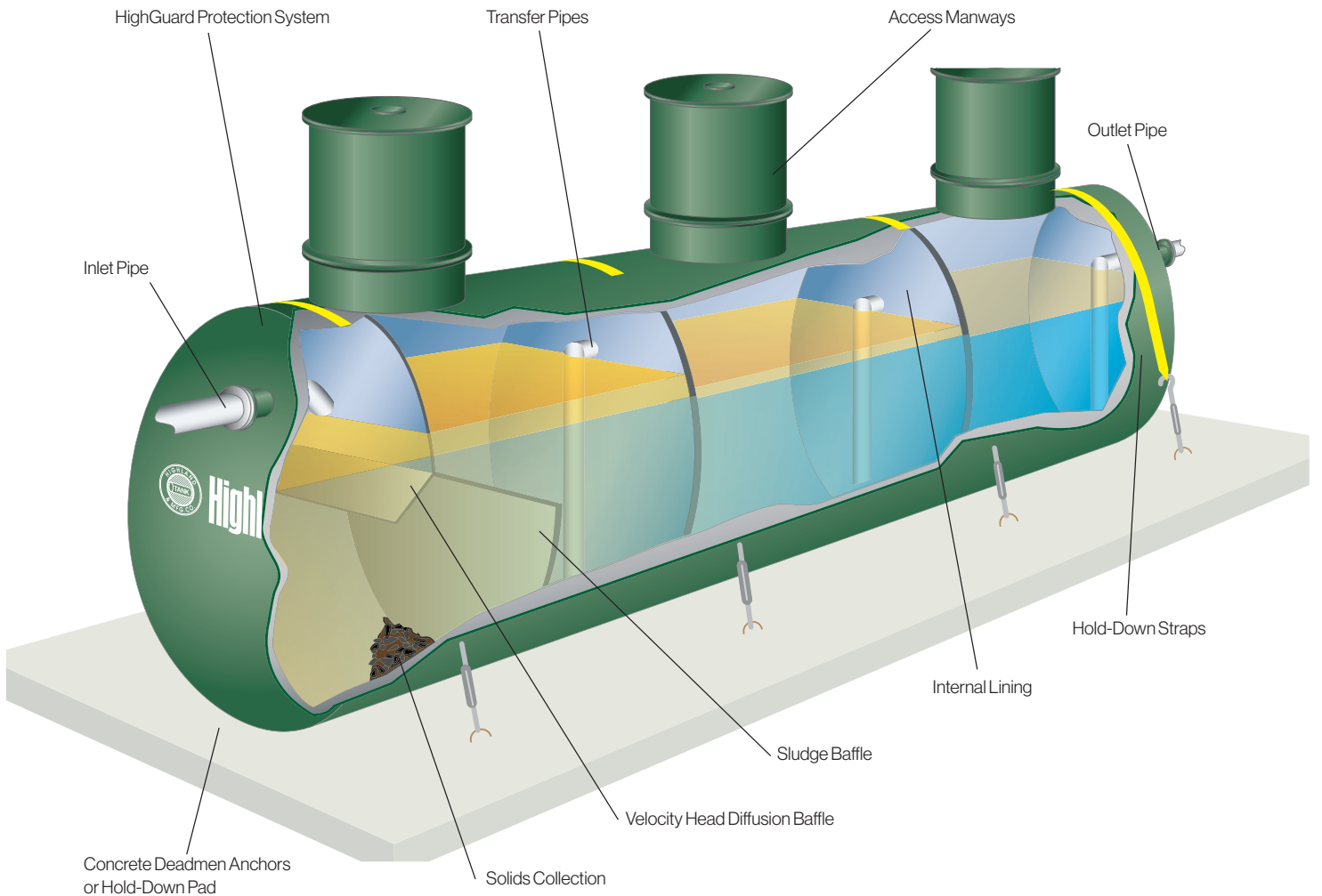
We offer an extensive range of standard sizes and capacities with complete accessory packages, including leak and level sensors, alarm/control panels, influent, effluent and oil pump systems. Variations in capacity, arrangement, dimensions and pipe penetration locations can be made to fit your specific requirements.



### Code-Compliant Design, Dependability and Durability

Oil/sand interceptors are required in all facilities that conduct washing, servicing, repairing, maintenance or storage of motor vehicles – including car washes, commercial vehicle garages, repair facilities, service stations and similar sites where oil or flammable liquid may be introduced into the sewer system.

### Dependable, Durable Design

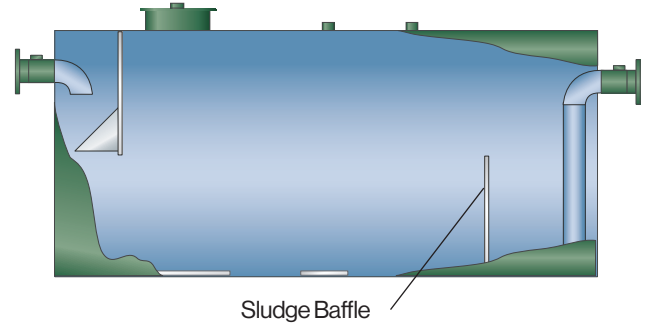


**Highland Tank**<sup>®</sup>

# Design Options

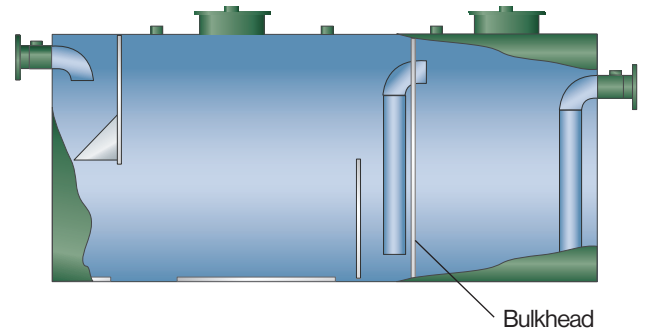
## Single Basin Interceptors

Single Basin Interceptors have a single collection chamber and sludge baffle to remove sand, grit, grease and free oil. This is our simple oil/sand "knock-out" design.



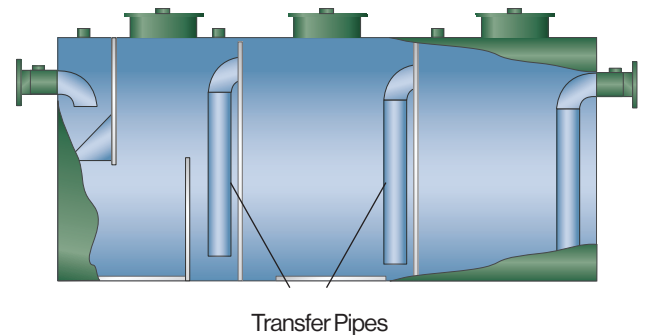
## Double Basin Interceptors

Double Basin Interceptors have two collection chambers and a sludge baffle. They are commonly used in car wash and commercial or municipal vehicle washing applications for oil and sand removal prior to discharge to a recycle wash system. An optional overflow bypass directs excess flow to an auxiliary retention area.



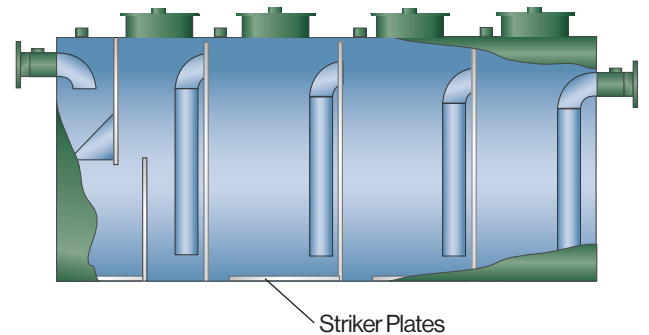
## Triple Basin Interceptors\*

Triple Basin Interceptors\* have three collection chambers and a sludge baffle. Our most popular and versatile design has a variety of applications, such as car washes and commercial garages. Floatables, oil, sand and other sediments are trapped in the first compartment and any remaining oil is trapped in the second compartment. The third chamber can be equipped with an effluent pump system when used in conjunction with Highland Tank's HighCycle Washwater Recycle System.

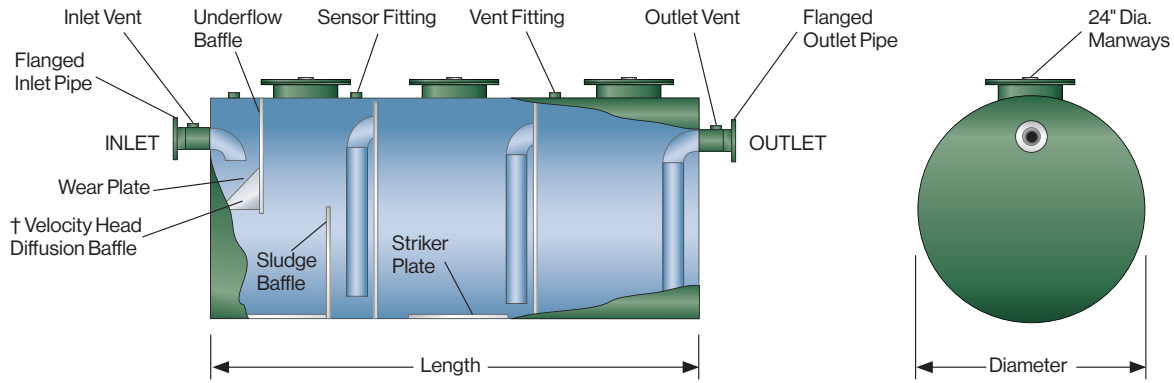


## Quad Basin Interceptors

Quad Basin Interceptors have four collection chambers and a sludge baffle. In addition to their use at large commercial vehicle washes, they are commonly used at construction sites for oil, dirt and debris removal during site dewatering operations to comply with strict stormwater regulations.



# Drawing & Details



| Model<br>OSI | Flow Rate<br>Gal/Min | Total Volume<br>Gallons | Recommended<br>Oil Pump-Out<br>Gallons | Nominal Dimensions |         | Inlet & Outlet<br>Diameter |
|--------------|----------------------|-------------------------|--|--------------------|---------|----------------------------|
|              |                      |                         |  | Diameter           | Length  |                            |
| *350         | 35                   | 350                     | 88                                     | 3'-6"              | 5'-0"   | 4"                         |
| **550        | 55                   | 550                     | 138                                    | 3'-6"              | 7'-9"   | 4"                         |
| 750          | 75                   | 750                     | 188                                    | 3'-6"              | 10'-9"  | 6"                         |
| 1,000        | 100                  | 1,000                   | 250                                    | 4'-0"              | 10'-9"  | 6"                         |
| 1,500        | 150                  | 1,500                   | 375                                    | 5'-4"              | 9'-0"   | 6"                         |
| 2,000        | 200                  | 2,000                   | 500                                    | 5'-4"              | 12'-0"  | 6"                         |
| 3,000        | 300                  | 3,000                   | 750                                    | 5'-4"              | 18'-0"  | 8"                         |
| 4,000        | 400                  | 4,000                   | 1,000                                  | 5'-4"              | 24'-0"  | 8"                         |
| 5,000        | 500                  | 5,000                   | 1,250                                  | 6'-0"              | 23'-10" | 8"                         |
| 6,000        | 600                  | 6,000                   | 1,500                                  | 6'-0"              | 28'-8"  | 10"                        |
| 7,000        | 700                  | 7,000                   | 1,750                                  | 7'-0"              | 24'-4"  | 10"                        |
| 8,000        | 800                  | 8,000                   | 2,000                                  | 7'-0"              | 28'-0"  | 10"                        |
| 9,000        | 900                  | 9,000                   | 2,250                                  | 8'-0"              | 24'-0"  | 12"                        |
| 10,000       | 1,000                | 10,000                  | 2,500                                  | 8'-0"              | 26'-8"  | 12"                        |
| 12,000       | 1,200                | 12,000                  | 3,000                                  | 8'-0"              | 32'-0"  | 12"                        |
| 15,000       | 1,500                | 15,000                  | 3,750                                  | 10'-0"             | 25'-6"  | 14"                        |
| 20,000       | 2,000                | 20,000                  | 5,000                                  | 10'-6"             | 31'-0"  | 16"                        |
| 25,000       | 2,500                | 25,000                  | 6,250                                  | 10'-6"             | 38'-9"  | 18"                        |
| 30,000       | 3,000                | 30,000                  | 7,500                                  | 10'-6"             | 46'-6"  | 20"                        |
| 40,000       | 4,000                | 40,000                  | 10,000                                 | 12'-0"             | 47'-3"  | 24"                        |
| 50,000       | 5,000                | 50,000                  | 12,500                                 | 12'-0"             | 59'-0"  | 24"                        |
| 60,000       | 6,000                | 60,000                  | 15,000                                 | 13'-0"             | 60'-6"  | 24"                        |

Note: NPT available for 4-6" inlet and outlet; 8" and larger will be flanged connections. Optional sampling/monitoring ports available. \*Available as single and double basin ONLY. Double basin dimensions will vary. Check with Highland Tank. \*\*Double basin and triple basin dimensions will vary. Check with Highland Tank.  
 † Not available on all sizes, contact Highland Tank for more information.



**Stoystown, PA**  
 One Highland Rd.  
 Stoystown, PA 15563  
 (814) 893-5701

**Manheim, PA**  
 4535 Elizabethtown Rd.  
 Manheim, PA 17545  
 (717) 664-0600

**Watervliet, NY**  
 958 19th St.  
 Watervliet, NY 12189  
 (518) 273-0801

**Greensboro, NC**  
 2700 Patterson St.  
 Greensboro, NC 27407  
 (336) 218-0801

**Friedens, PA**  
 1510 Stoystown Rd.  
 Friedens, PA 15541  
 (814) 443-6800

**Clarkston, MI**  
 4701 White Lake Rd.  
 Clarkston, MI 48346  
 (248) 625-8700

**Mancelona, MI**  
 9517 Lake St.  
 Mancelona, MI 49659  
 (231) 587-8412